

**BOLT CLIP DETAIL**

1.1/2" = 1'-0"



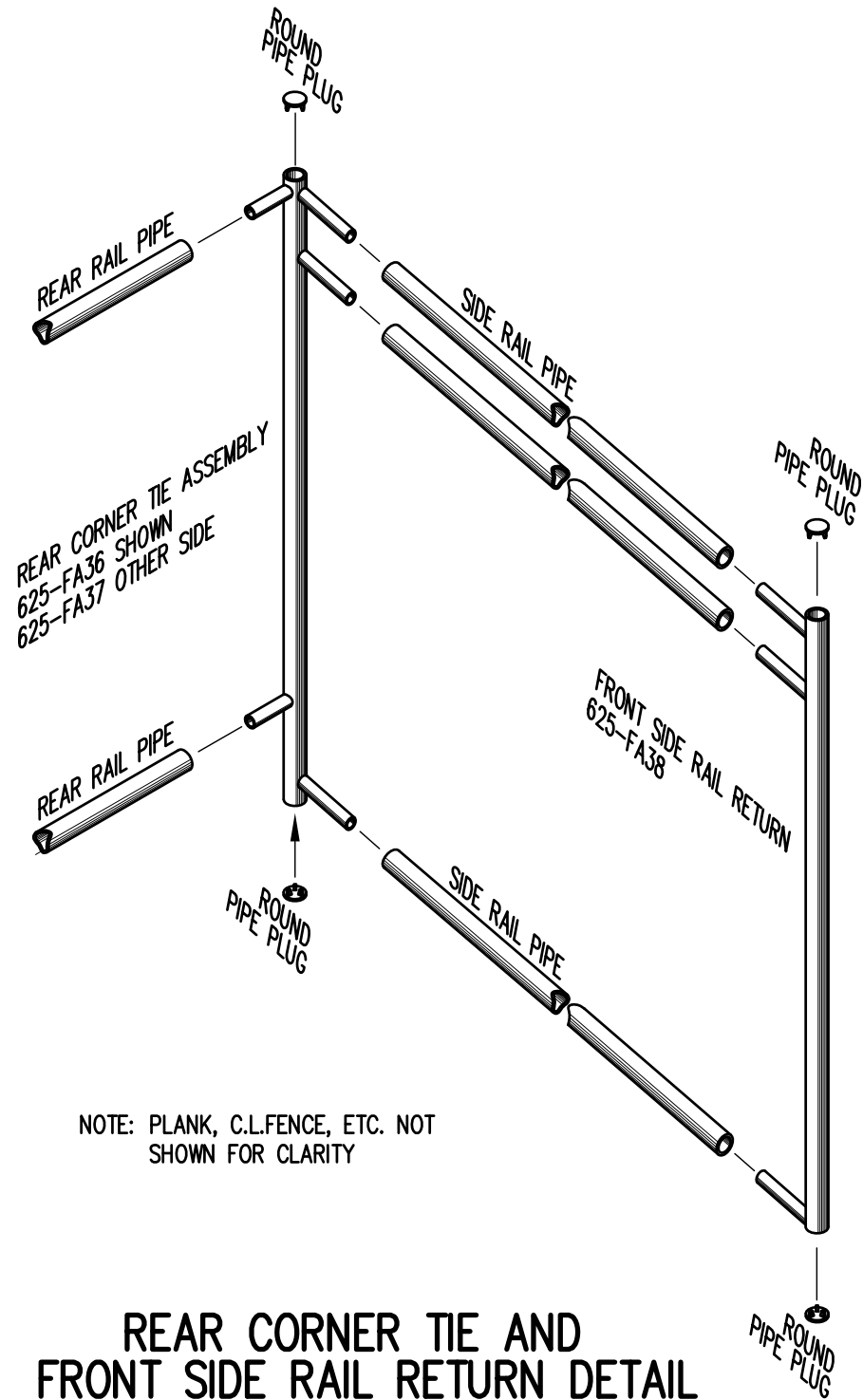
FIG.1

FIG.2

- 1) LOCATE THE CHANNEL END CAP AS SHOWN IN FIG. 1.
- 2) TAP END CAP INTO PLACE WITH RUBBER Mallet OR SOFT WOOD. FIG.2
- 3) DRILL TWO 5/32" HOLES THROUGH THE BOTTOM FLANGE AND THE BOTTOM OUTSIDE PLANK FLANGES. INSTALL TWO 3/16" x 1/4" RIVETS. (2 PER PLANK)

**END CAP DETAIL**

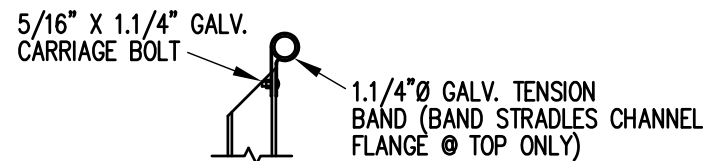
N.T.S.



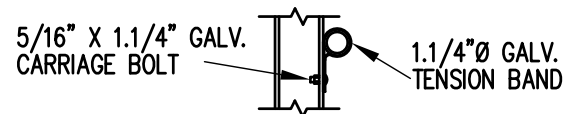
NOTE: PLANK, C.L.FENCE, ETC. NOT SHOWN FOR CLARITY

**REAR CORNER TIE AND FRONT SIDE RAIL RETURN DETAIL**

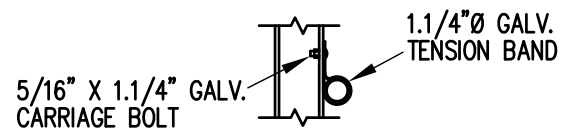
3/4" = 1'-0"



**TOP RAIL**

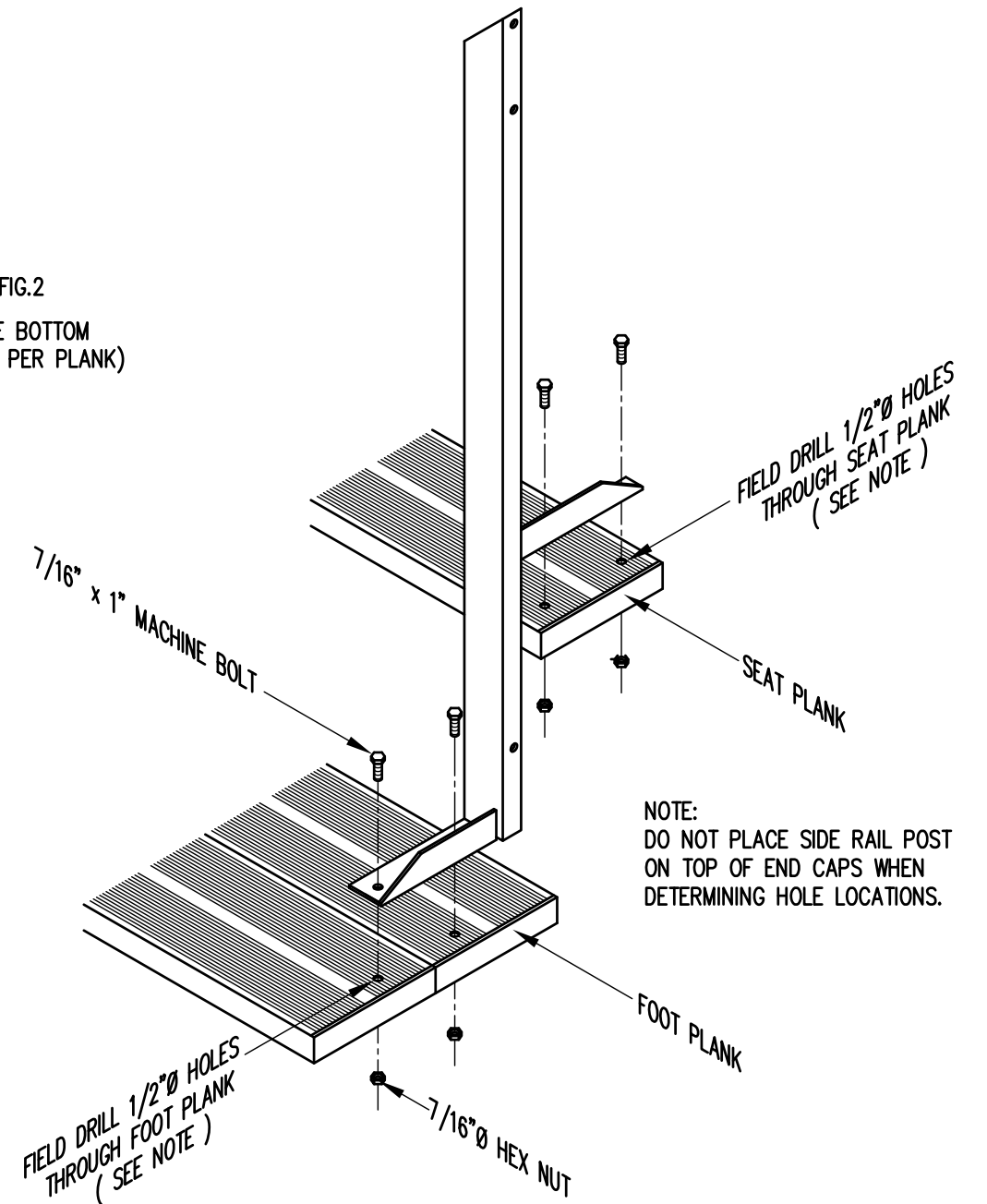


**MID RAIL**



**LOWER RAIL**

3/4" = 1'-0"

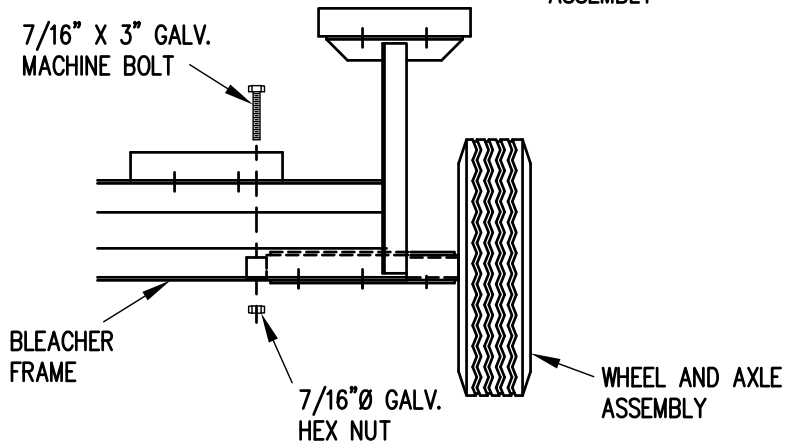
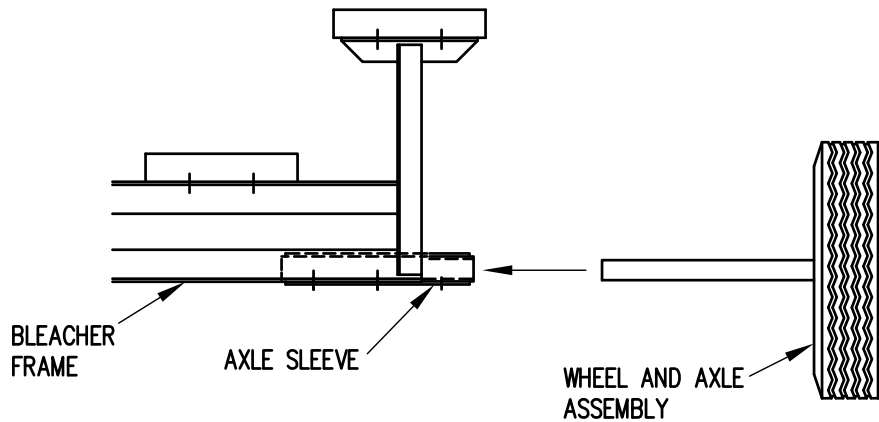


NOTE: DO NOT PLACE SIDE RAIL POST ON TOP OF END CAPS WHEN DETERMINING HOLE LOCATIONS.

**TYP. SIDE RAIL POST ATTACHMENT**

1" = 1'-0"

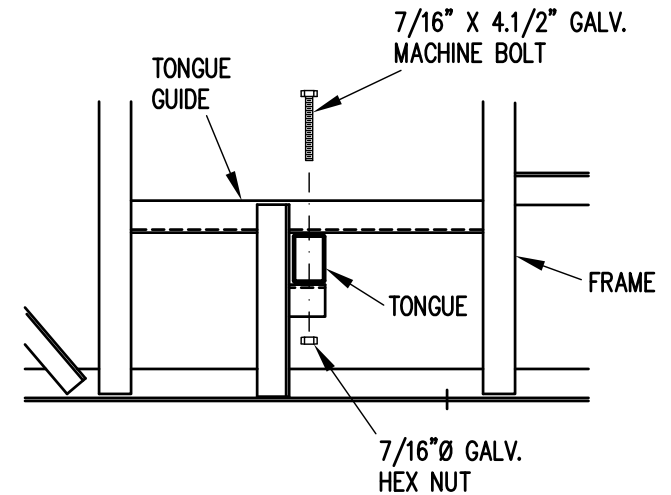
		<b>Outdoor Aluminum</b> P.O. BOX 118 GENEVA, ALABAMA 36340 334-684-2296			
				SCALE AS NOTED	REVISIONS
DATE	11/2/00	SIDE GUARDRAIL TO OUTSIDE		WHW	03/02
DR'N	SS CKD				
AP'VD					
TITLE				NO.	
TYPICAL DETAILS				684-E1990	



1. ELEVATE BLEACHER TO RECEIVE WHEEL UNITS.
2. INSERT WHEEL AND AXLE ASSEMBLY INTO AXLE SLEEVE AS SHOWN.
3. INSERT 7/16" X 3" GALVANIZED MACHINE BOLT THROUGH AXLE TO SECURE IN AXLE SLEEVE.

## WHEEL AND AXLE ATTACHMENT

1" = 1'-0"



1. INSERT TONGUE THROUGH TONGUE GUIDES.
2. ATTACH TONGUE TO TONGUE BRACKETS WITH 7/16" X 4.1/2" GALVANIZED MACHINE BOLTS AS SHOWN.
3. TIGHTEN SECURELY.

## TONGUE ATTACHMENT

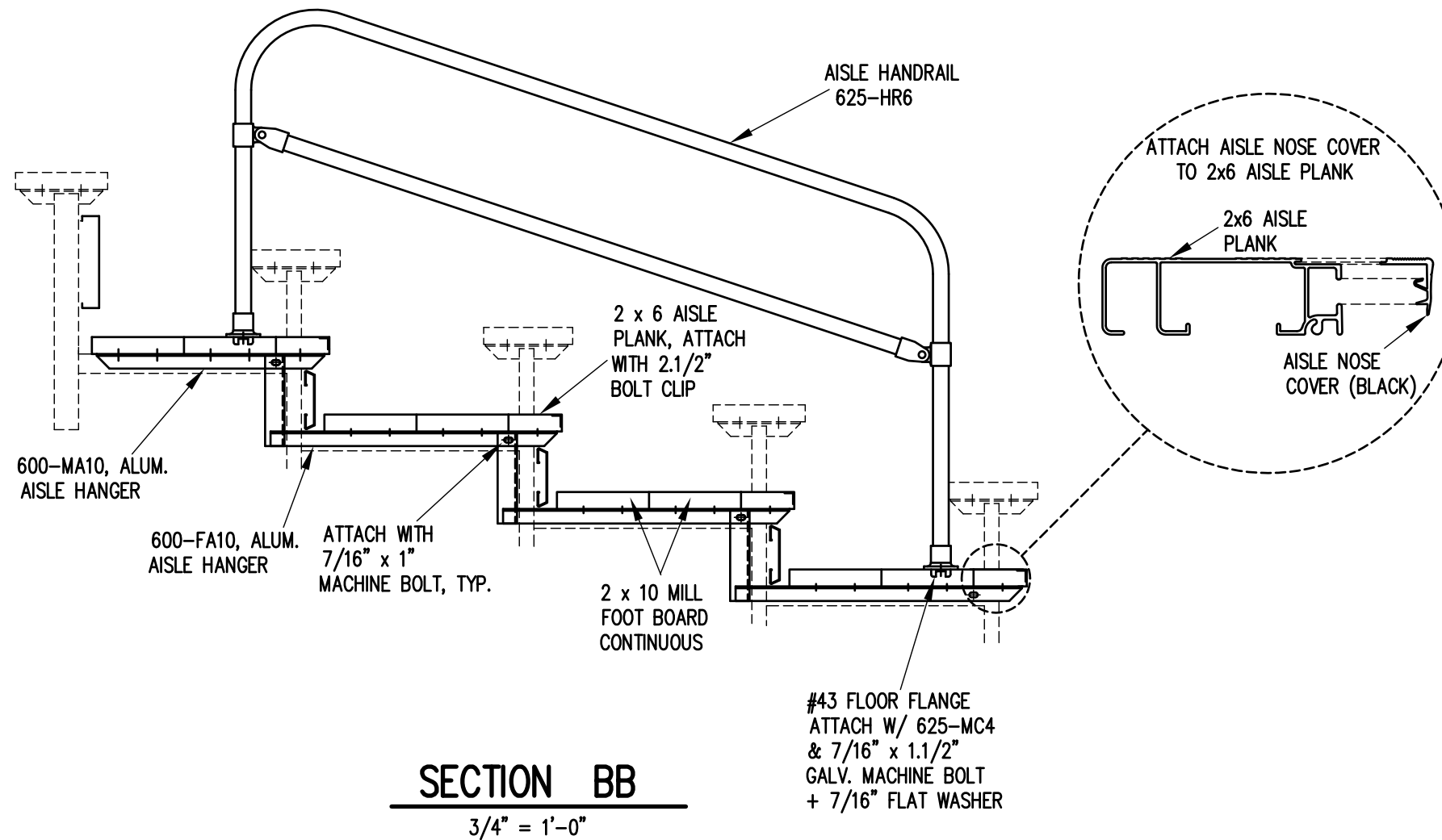
1" = 1'-0"



Outdoor  
Aluminum


P.O. BOX 118  
GENEVA, ALABAMA 36340  
334-684-2296

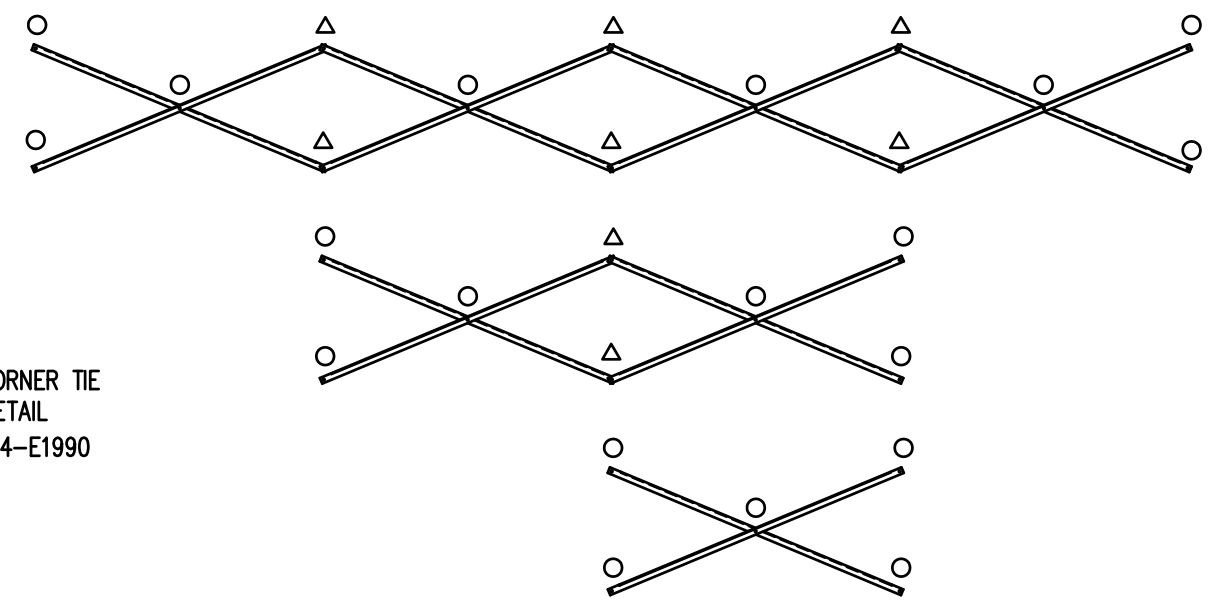
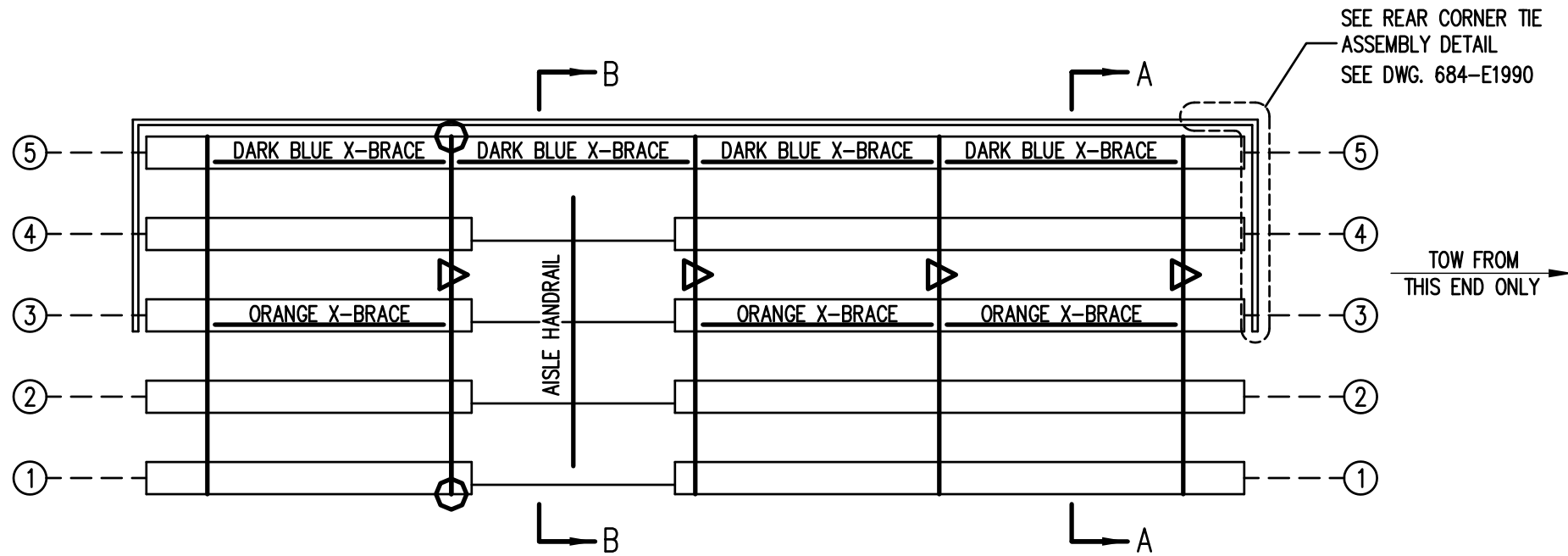
SCALE	REVISIONS	BY	DATE
1"=1'-0"			
DATE			
9/25/00			
DR'N	SS	CKD	
AP'VD			
TITLE	NO.		
1-5 AND 6-10 ROW TRANSPORT COMPONENTS ATTACHMENT DETAILS	684-E1991		



**SECTION BB**

3/4" = 1'-0"

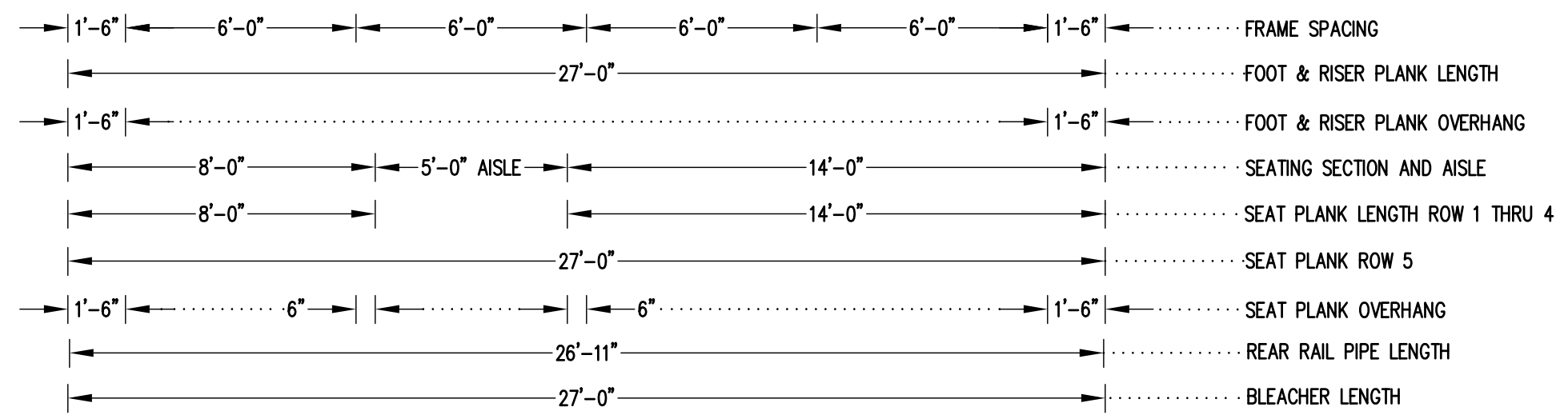
		<b>Outdoor Aluminum</b>		P.O. BOX 118 GENEVA, ALABAMA 36340 334-684-2296	
SCALE	3/4"=1'-0"	REVISIONS		BY	DATE
DATE	9/27/00	AISLE NOSE COVER		WHW	03/02
DR'N	SS	CKD			
AP'VD					
TITLE	5 ROW AISLE SECTION				NO. 684-E1995



**X-BRACE DETAIL**

N.T.S.

- 7/16" X 1" GALV. MACH. BOLT
- △ 7/16" X 1.1/2" GALV. MACH. BOLT

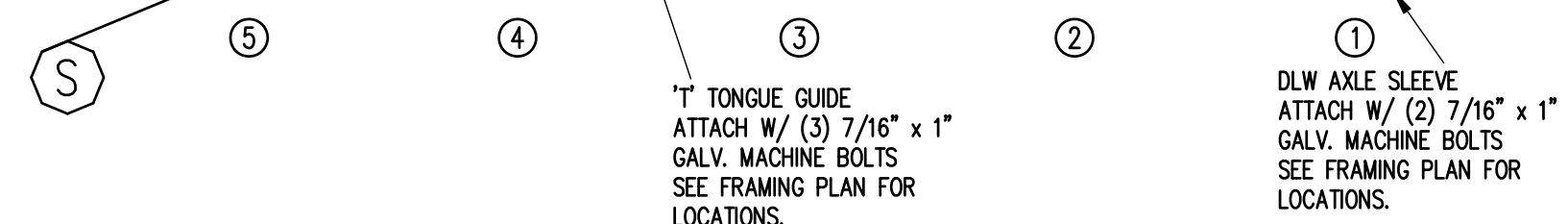
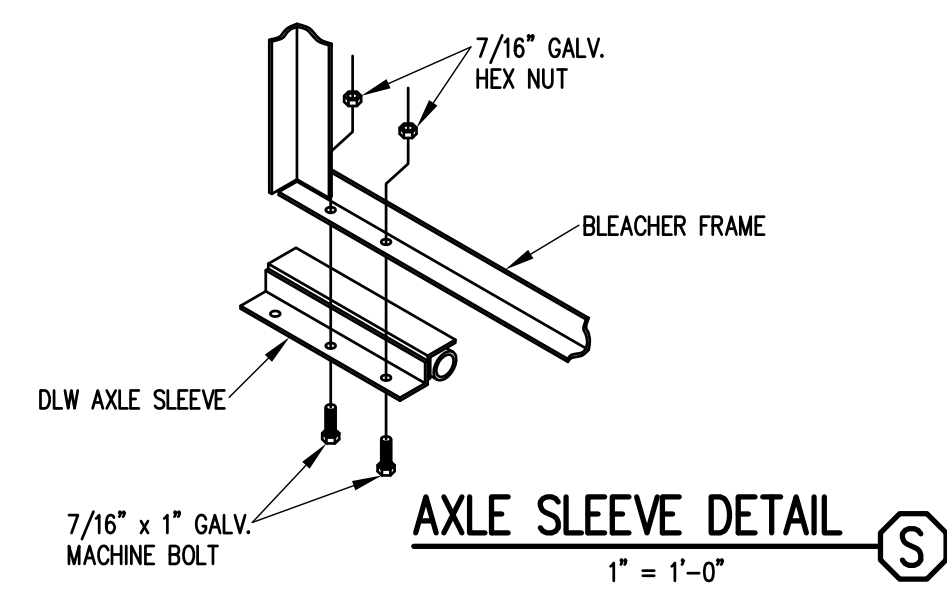
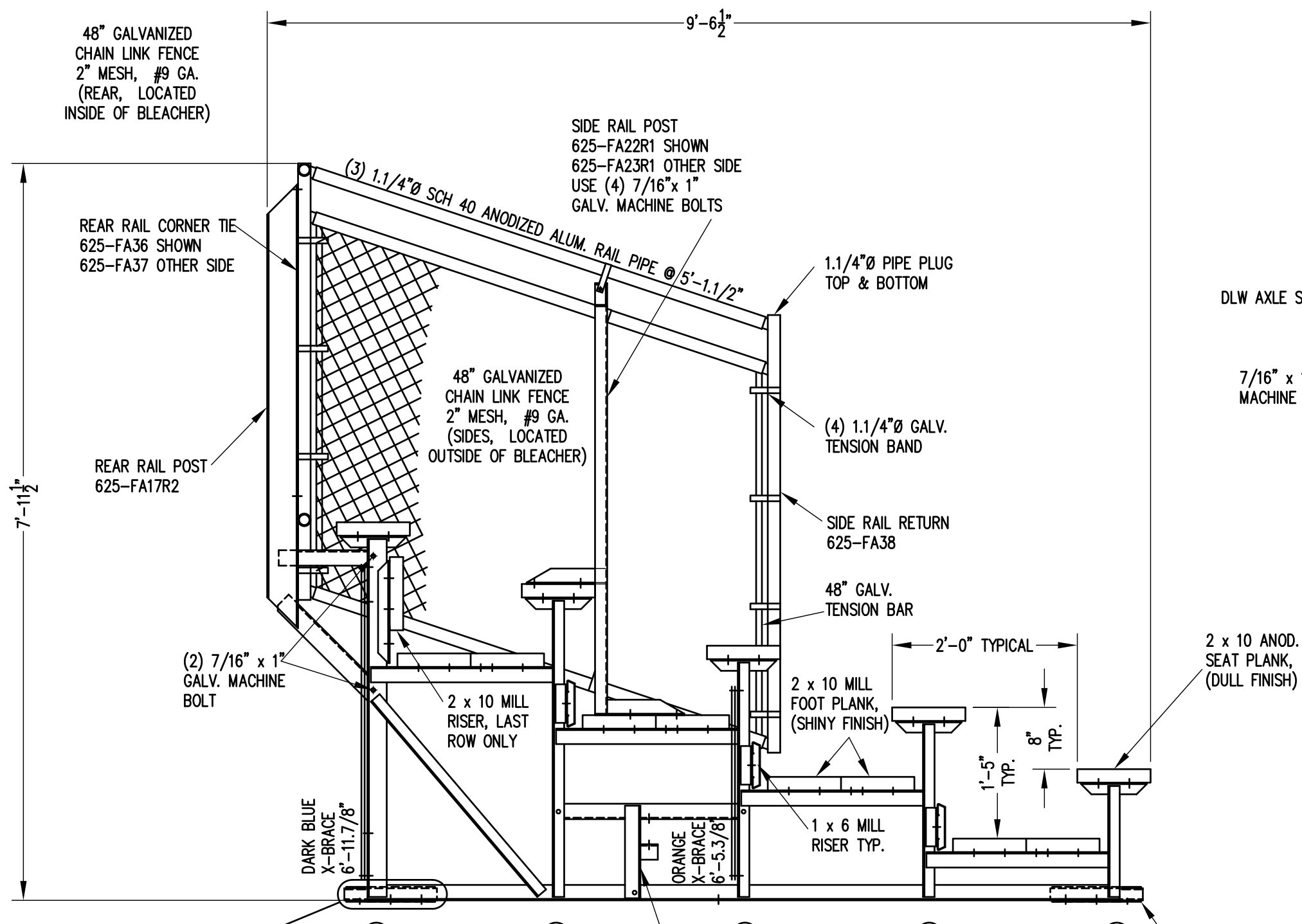


**SEATING & FRAMING PLAN**

1/4" = 1'-0"  
74 NET SEAT @ 18" PER SEAT

- DENOTES AXLE SLEEVE LOCATIONS
- △ DENOTES TONGUE GUIDE LOCATIONS

		P.O. BOX 118 GENEVA, ALABAMA 36340 334-684-2296		
		SCALE AS NOTED	REVISIONS	BY
DATE 11/30/00	SIDE GUARDRAIL TO OUTSIDE		WHW	03/02
DR'N SS CKD				
AP'VD				
TITLE TDLWA 5-27 SEATING/FRAMING PLAN W/AISLE			NO. <b>684-E2074</b>	



**SECTION AA**  
3/4" = 1'-0"

		P.O. BOX 118 GENEVA, ALABAMA 36340 334-684-2296		
		<b>Outdoor Aluminum</b>		
SCALE	AS NOTED	REVISIONS	BY	DATE
DATE	10/28/96	SIDE GUARDRAIL TO OUTSIDE	WHW	03/02
DR'N	SS CKD	FOOTBOARD SUPPORT, FA17R2, FA22R1	RS	09/06
AP'VD				
TITLE			NO.	
TDLW 5 ROW SECTION DOUBLE FOOTBOARD			684-E2084	