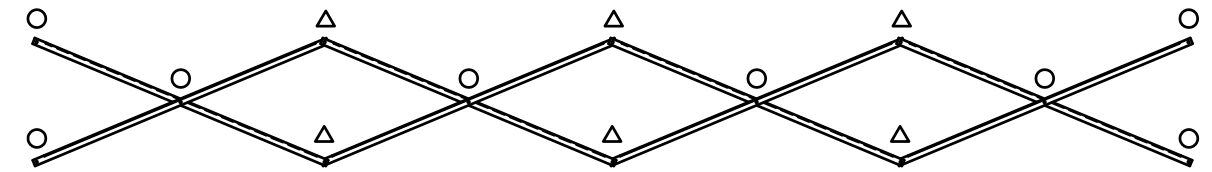


**SEAT & FRAMING PLAN**

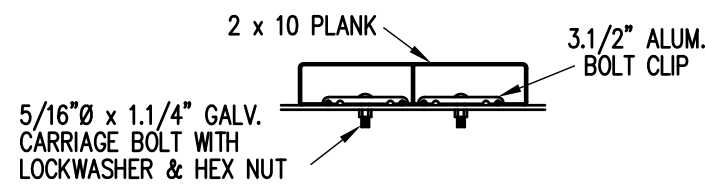
1/4" = 1'-0"  
72 NET SEATS @ 18" PER SEAT



**X-BRACE DETAIL**

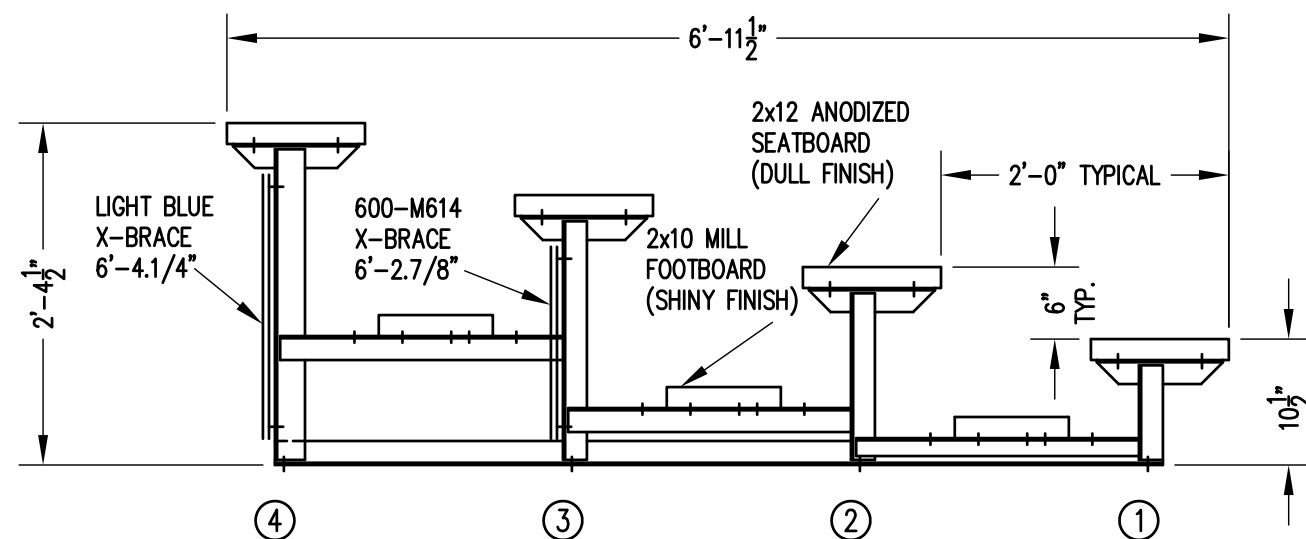
N.T.S.

- 7/16" X 1" GALV. MACH. BOLT
- △ 7/16" X 1.1/2" GALV. MACH. BOLT



**BOLT CLIP DETAIL**

1.1/2" = 1'-0"



**SECTION AA**

3/4" = 1'-0"

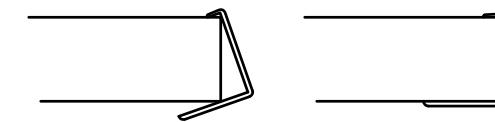


FIG.1

FIG.2

- 1) LOCATE THE CHANNEL END CAP AS SHOWN IN FIG. 1.
- 2) TAP END CAP INTO PLACE WITH RUBBER Mallet OR SOFT WOOD. FIG.2
- 3) DRILL TWO 5/32" HOLES THROUGH THE BOTTOM FLANGE AND THE BOTTOM OUTSIDE PLANK FLANGES. INSTALL TWO 3/16" DRIVE RIVETS. (2 PER PLANK)

**END CAP DETAIL**

N.T.S.

		P.O. BOX 118 GENEVA, ALABAMA 36340 334-684-2296			
		SCALE AS NOTED	REVISIONS	BY	DATE
DATE	11/5/08				
DR'N	CKD				
AP'VD					
TITLE				NO.	
LDLW 4-27 SEATING/FRAMING PLAN				664-E1086	