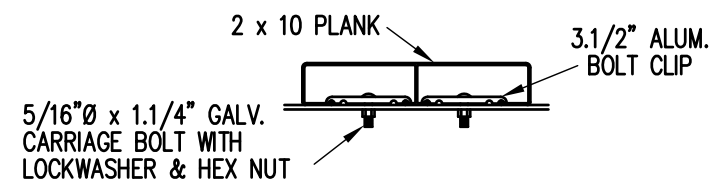


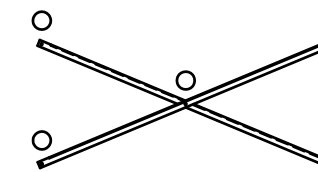
SEAT & FRAMING PLAN

1/4" = 1'-0"
 18 NET SEATS @ 18" PER SEAT



BOLT CLIP DETAIL

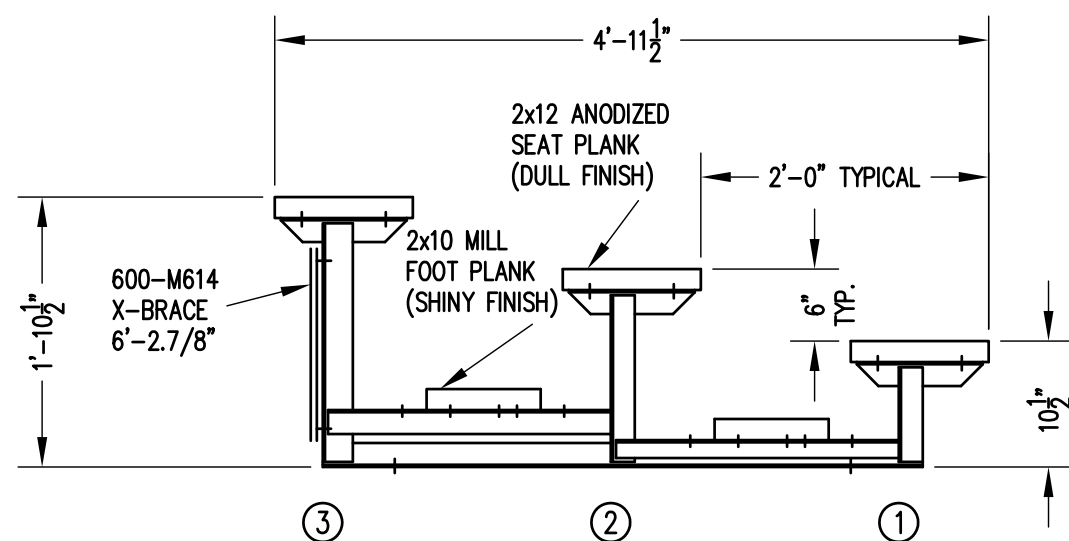
1.1/2" = 1'-0"



X-BRACE DETAIL

N.T.S.

○ 7/16" X 1" GALV. MACH. BOLT



SECTION AA

3/4" = 1'-0"

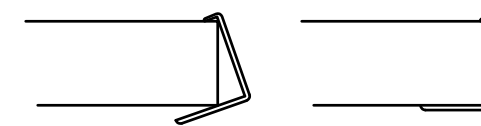


FIG.1

FIG.2

- 1) LOCATE THE CHANNEL END CAP AS SHOWN IN FIG. 1.
- 2) TAP END CAP INTO PLACE WITH RUBBER Mallet OR SOFT WOOD. FIG.2
- 3) DRILL TWO 5/32" HOLES THROUGH THE BOTTOM FLANGE AND THE BOTTOM OUTSIDE PLANK FLANGES. INSTALL TWO 3/16" DRIVE RIVETS. (2 PER PLANK)

END CAP DETAIL

N.T.S.

		Outdoor Aluminum P.O. BOX 118 GENEVA, ALABAMA 36340 334-684-2296			
				SCALE AS NOTED	REVISIONS
DATE	11/20/08				
DR'N	WJW CKD				
AP'VD					
TITLE				NO.	
LDLW 3-9 SEATING/FRAMING PLAN				664-E1046	