

**BOLT CLIP DETAIL**

1.1/2" = 1'-0"



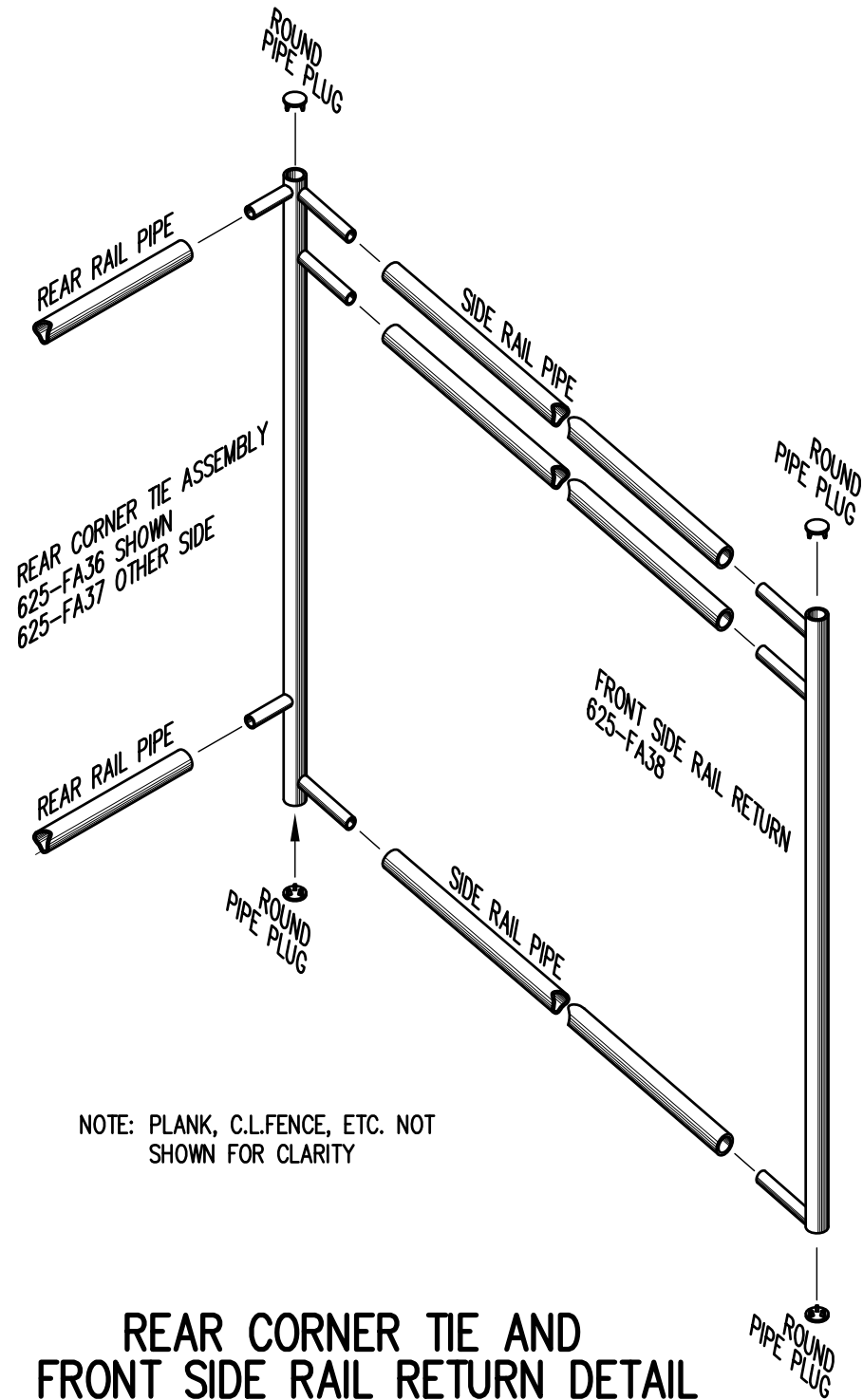
FIG.1

FIG.2

- 1) LOCATE THE CHANNEL END CAP AS SHOWN IN FIG. 1.
- 2) TAP END CAP INTO PLACE WITH RUBBER Mallet OR SOFT WOOD. FIG.2
- 3) DRILL TWO 5/32" HOLES THROUGH THE BOTTOM FLANGE AND THE BOTTOM OUTSIDE PLANK FLANGES. INSTALL TWO 3/16" x 1/4" RIVETS. (2 PER PLANK)

**END CAP DETAIL**

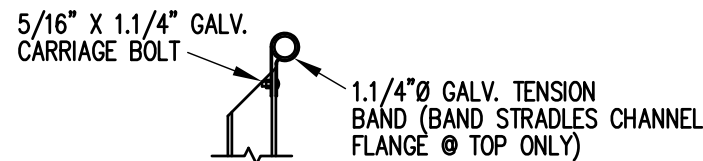
N.T.S.



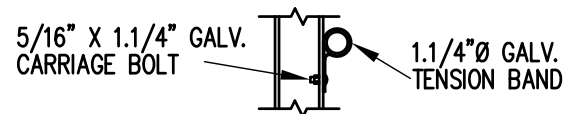
NOTE: PLANK, C.L.FENCE, ETC. NOT SHOWN FOR CLARITY

**REAR CORNER TIE AND FRONT SIDE RAIL RETURN DETAIL**

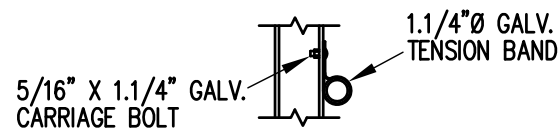
3/4" = 1'-0"



**TOP RAIL**

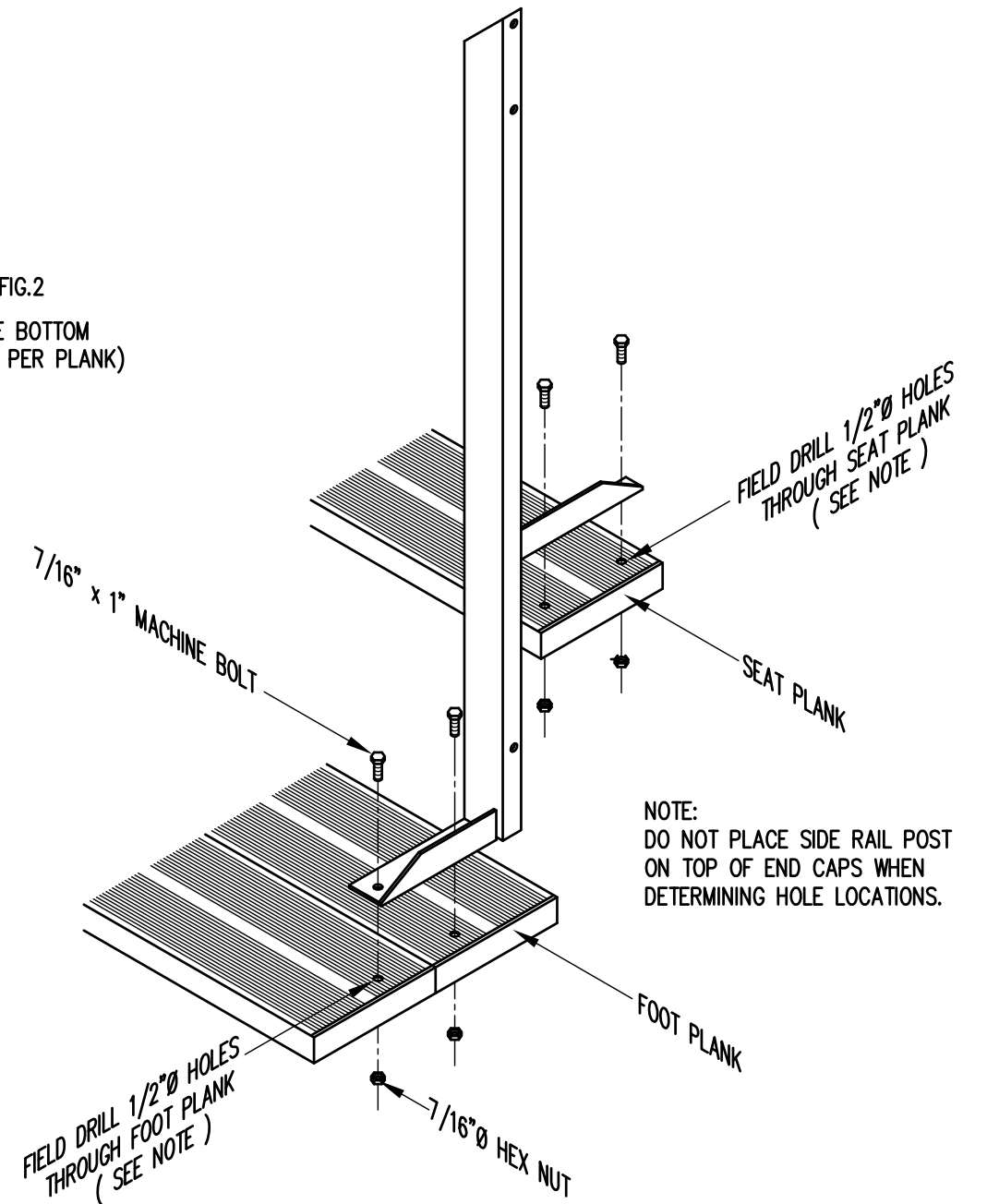


**MID RAIL**



**LOWER RAIL**

3/4" = 1'-0"

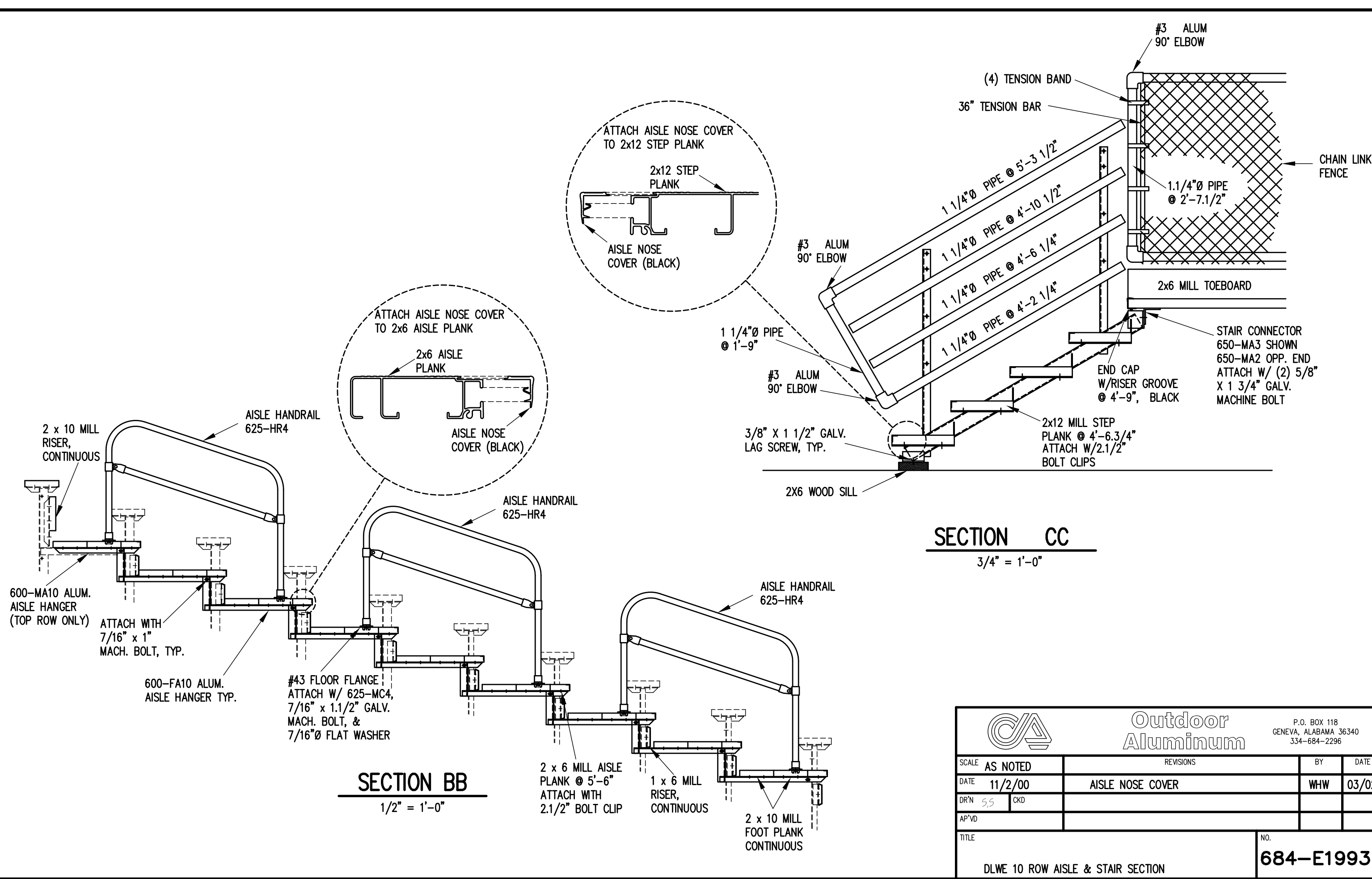


NOTE: DO NOT PLACE SIDE RAIL POST ON TOP OF END CAPS WHEN DETERMINING HOLE LOCATIONS.

**TYP. SIDE RAIL POST ATTACHMENT**

1" = 1'-0"

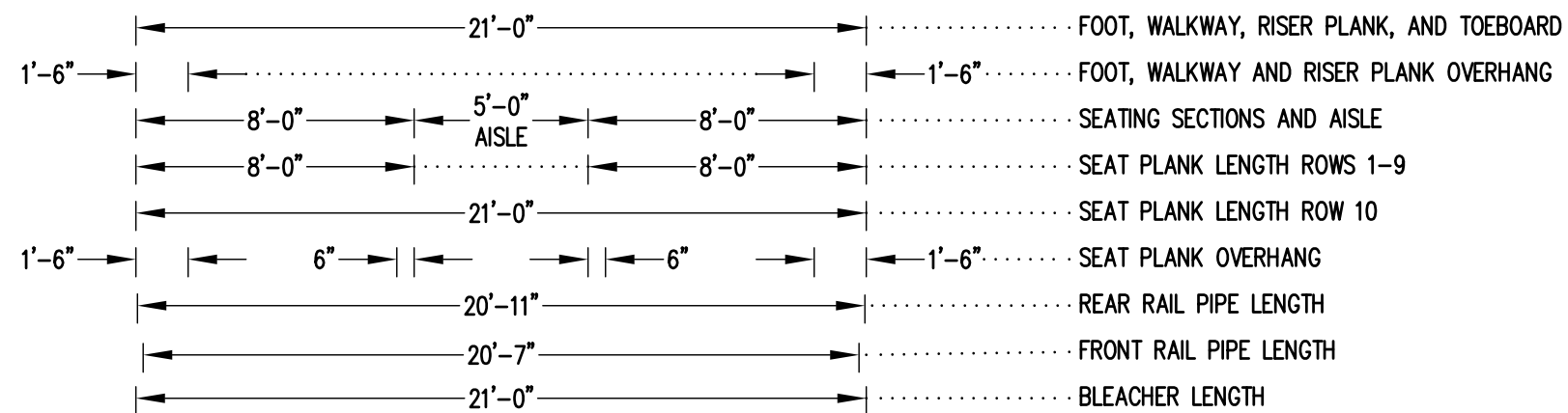
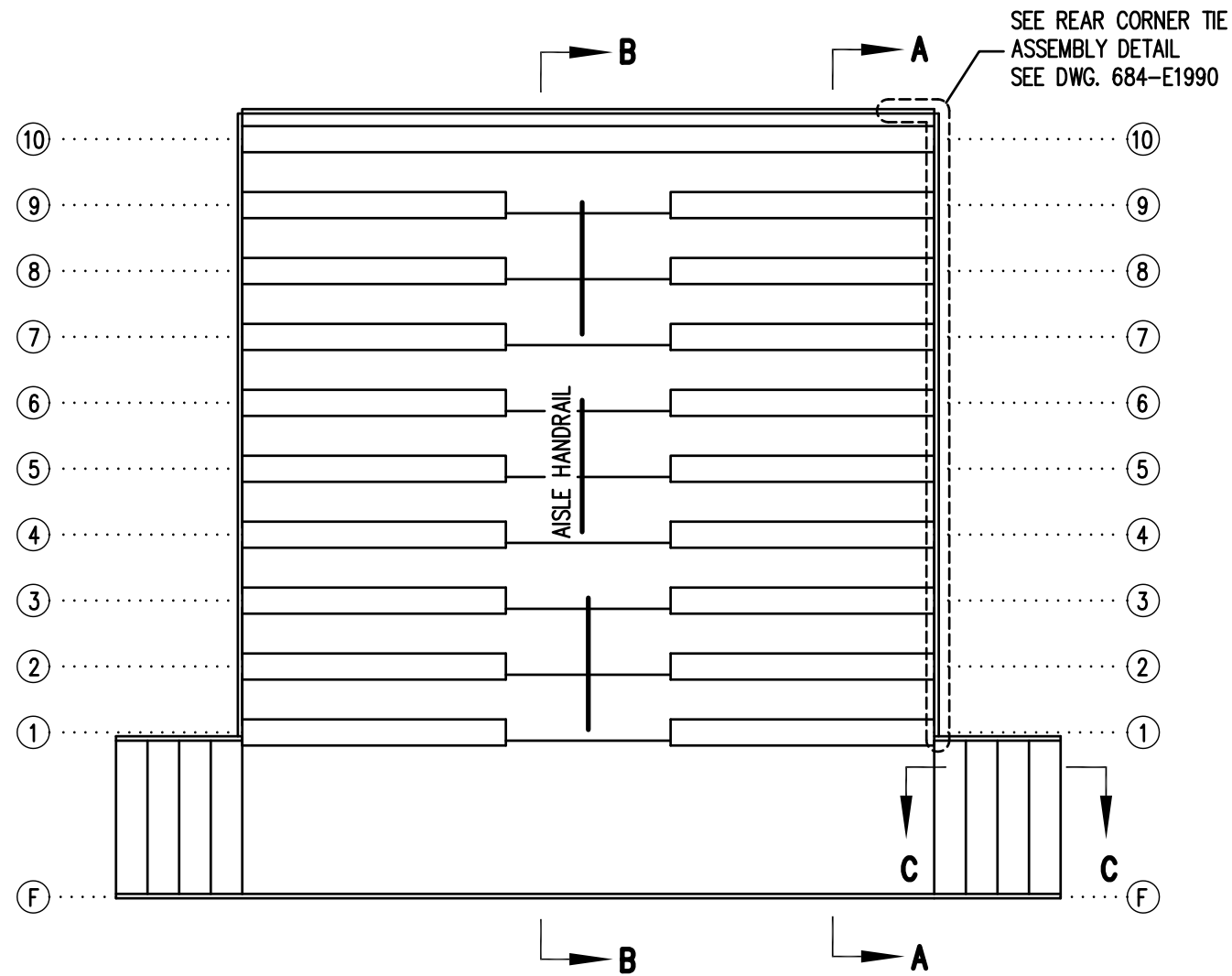
		P.O. BOX 118 GENEVA, ALABAMA 36340 334-684-2296			
		SCALE	AS NOTED	REVISIONS	BY
DATE	11/2/00	SIDE GUARDRAIL TO OUTSIDE		WHW	03/02
DR'N	SS	CKD			
AP'VD					
TITLE				NO.	
TYPICAL DETAILS				684-E1990	



**SECTION BB**  
1/2" = 1'-0"

**SECTION CC**  
3/4" = 1'-0"


		P.O. BOX 118 GENEVA, ALABAMA 36340 334-684-2296			
		SCALE	AS NOTED	REVISIONS	BY
DATE	11/2/00	AISLE NOSE COVER		WHW	03/02
DR'N	SS	CKD			
AP'VD					
TITLE				NO.	
DLWE 10 ROW AISLE & STAIR SECTION				684-E1993	

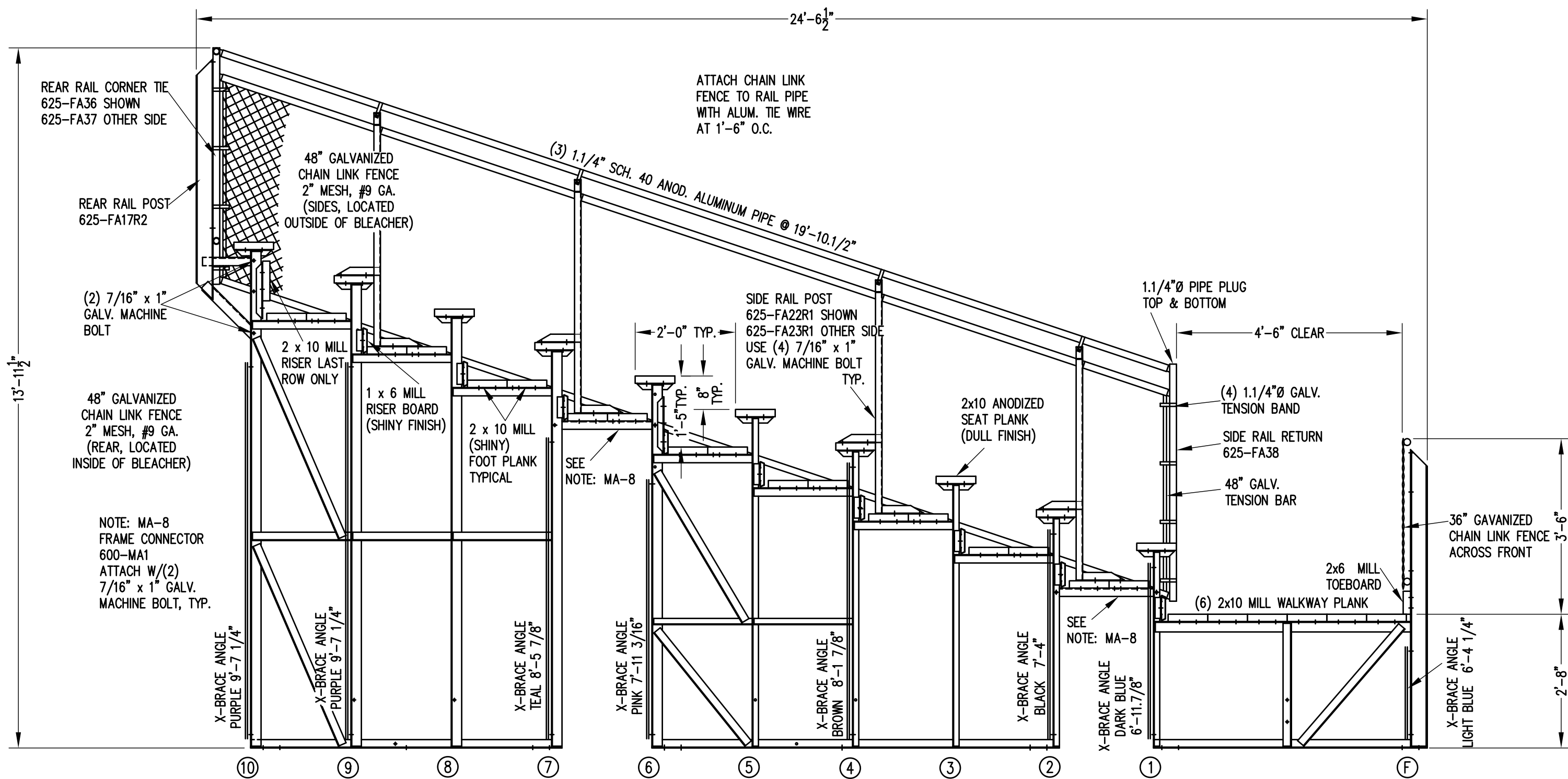


### SEATING PLAN

3/16" = 1'-0"


104 NET SEATS @ 18" PER SEAT

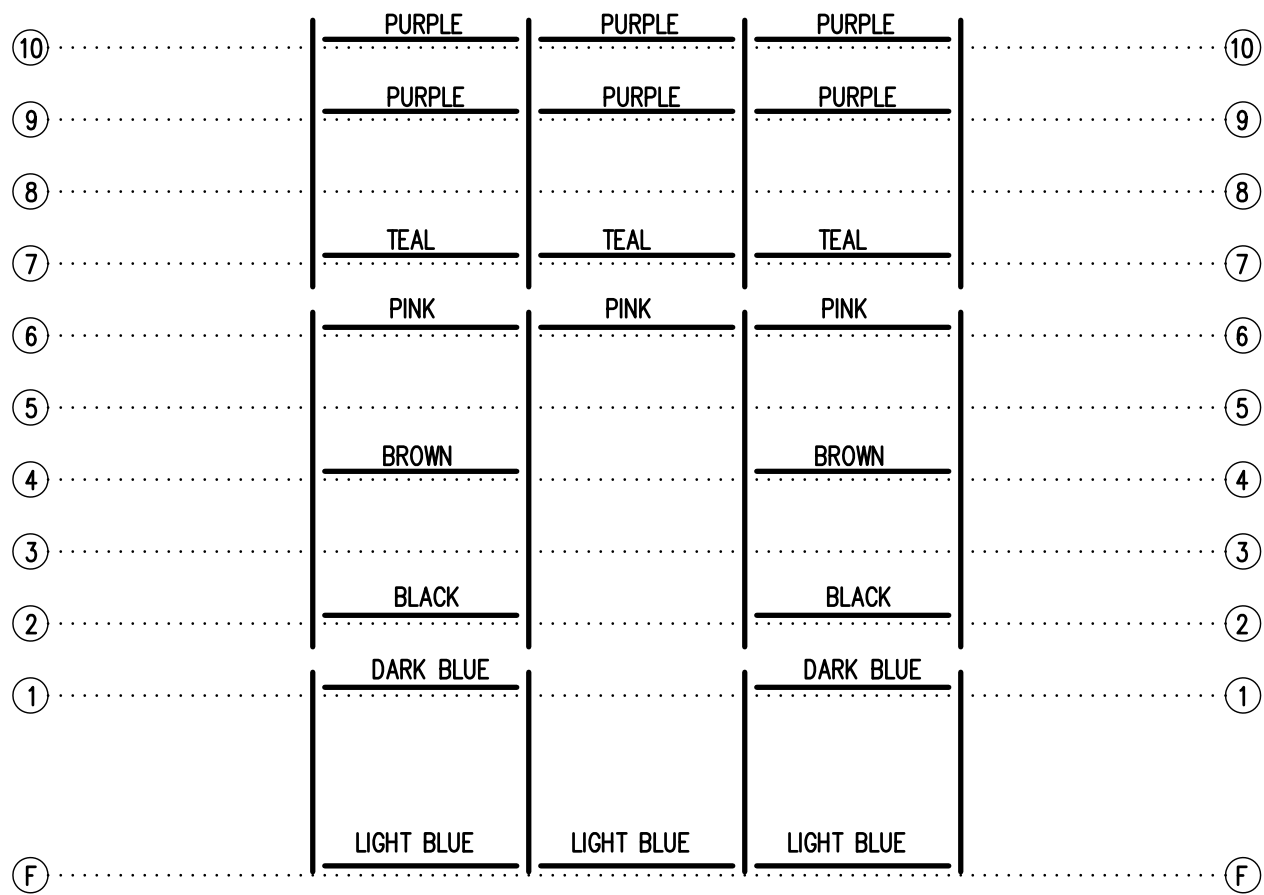
		P.O. BOX 118 GENEVA, ALABAMA 36340 334-684-2296		
		SCALE 3/16"=1'-0"	REVISIONS	BY
DATE 11/30/00	SIDE GUARDRAIL TO OUTSIDE		WHW	03/02
DR'N SS CKD				
AP'VD				
TITLE DLWE 10-21 SEATING PLAN			NO. 684-E2206	



**SECTION AA**

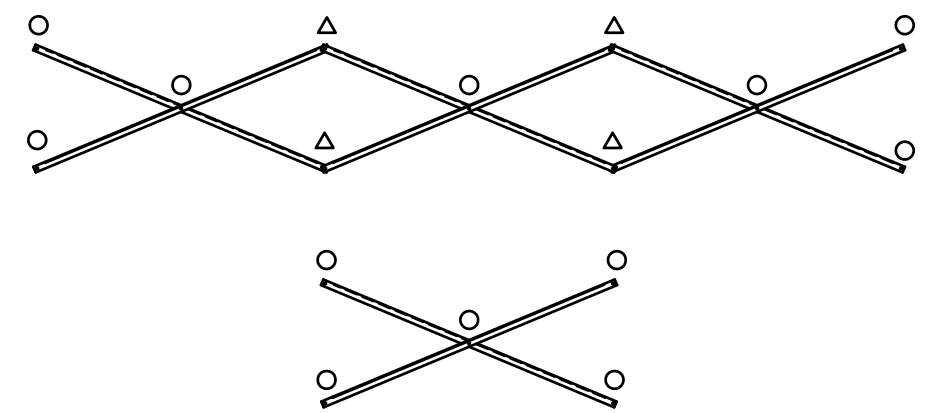
1/2" = 1'-0"

		P.O. BOX 118 GENEVA, ALABAMA 36340 334-684-2296	
		<b>Outdoor Aluminum</b>	
SCALE	1/2" = 1'-0"	REVISIONS	BY DATE
DATE	11/2/00	X-BRACE FROM BLUE TO DARK BLUE	CHM 03/97
DR'N	SS CKD	SIDE GUARDRAIL TO OUTSIDE	WHW 03/02
AP'VD		FOOTBOARD SUPPORT, FA17R2, FA22R1, MA-8	RS 09/06
TITLE	DLWE 10 ROW SECTION		NO. <b>684-E2221</b>



1'-6"    6'-0"    6'-0"    6'-0"    1'-6" ..... FRAME SPACING

**FRAMING PLAN**  
 3/16" = 1'-0"



**X-BRACE DETAIL**

- N.T.S.  
 ○ 7/16" X 1" GALV. MACH. BOLT  
 △ 7/16" X 1.1/2" GALV. MACH. BOLT

		P.O. BOX 118 GENEVA, ALABAMA 36340 334-684-2296		
		SCALE 3/16"=1'-0"	REVISIONS	BY
DATE	11/13/00			
DR'N	SS CKD			
AP'VD				
TITLE			NO.	
DLWE 10-21 FRAMING PLAN			684-E2256	