

BOLT CLIP DETAIL

1.1/2" = 1'-0"



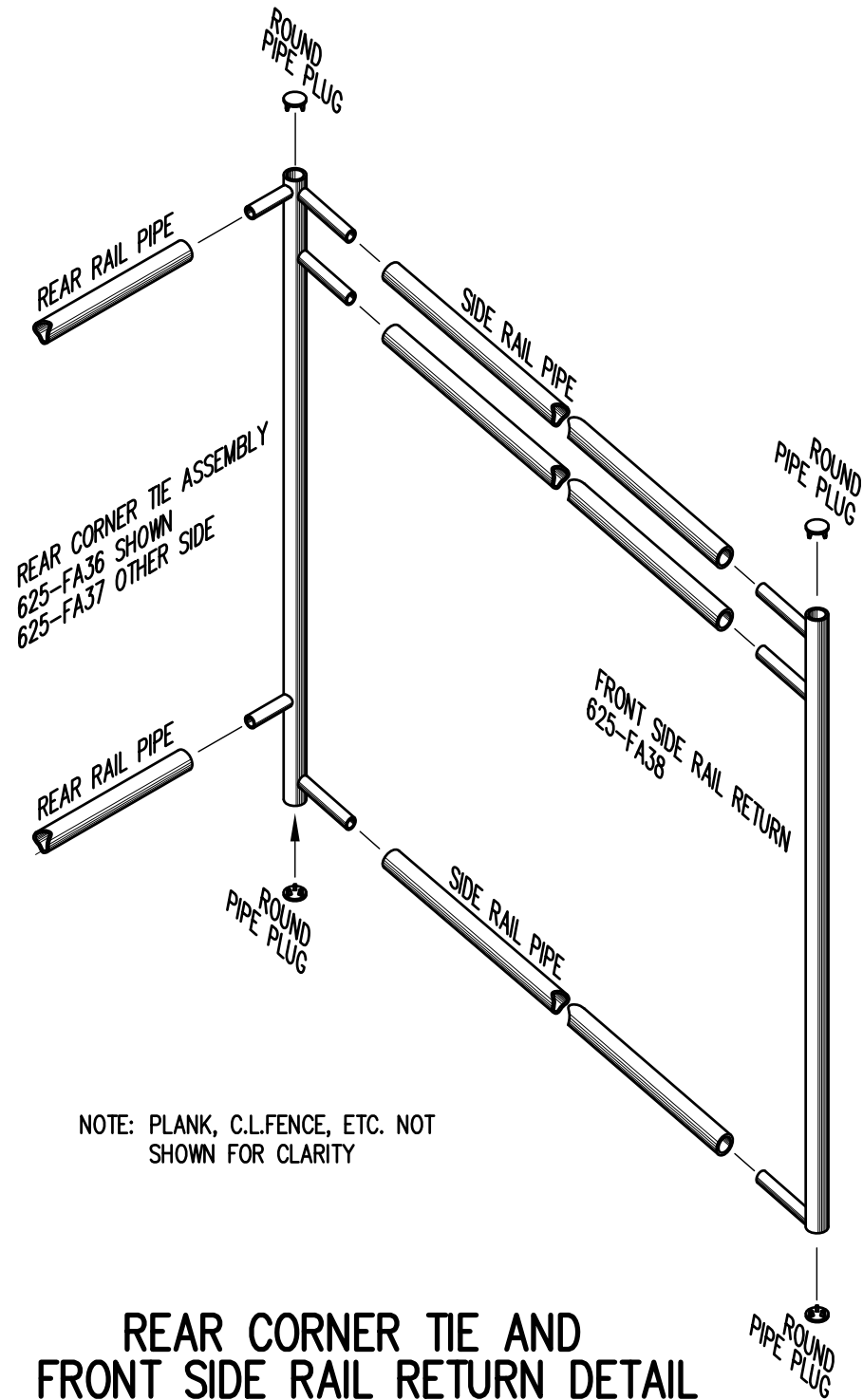
FIG.1

FIG.2

- 1) LOCATE THE CHANNEL END CAP AS SHOWN IN FIG. 1.
- 2) TAP END CAP INTO PLACE WITH RUBBER Mallet OR SOFT WOOD. FIG.2
- 3) DRILL TWO 5/32" HOLES THROUGH THE BOTTOM FLANGE AND THE BOTTOM OUTSIDE PLANK FLANGES. INSTALL TWO 3/16" x 1/4" RIVETS. (2 PER PLANK)

END CAP DETAIL

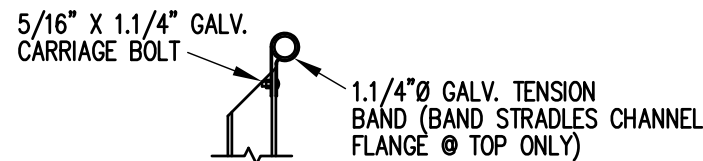
N.T.S.



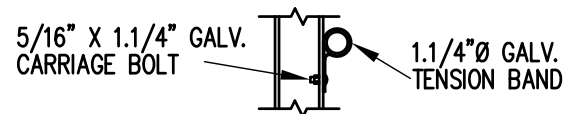
NOTE: PLANK, C.L.FENCE, ETC. NOT SHOWN FOR CLARITY

REAR CORNER TIE AND FRONT SIDE RAIL RETURN DETAIL

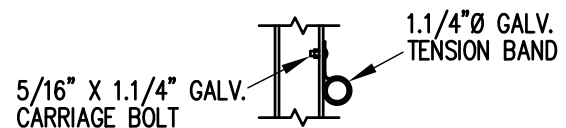
3/4" = 1'-0"



TOP RAIL

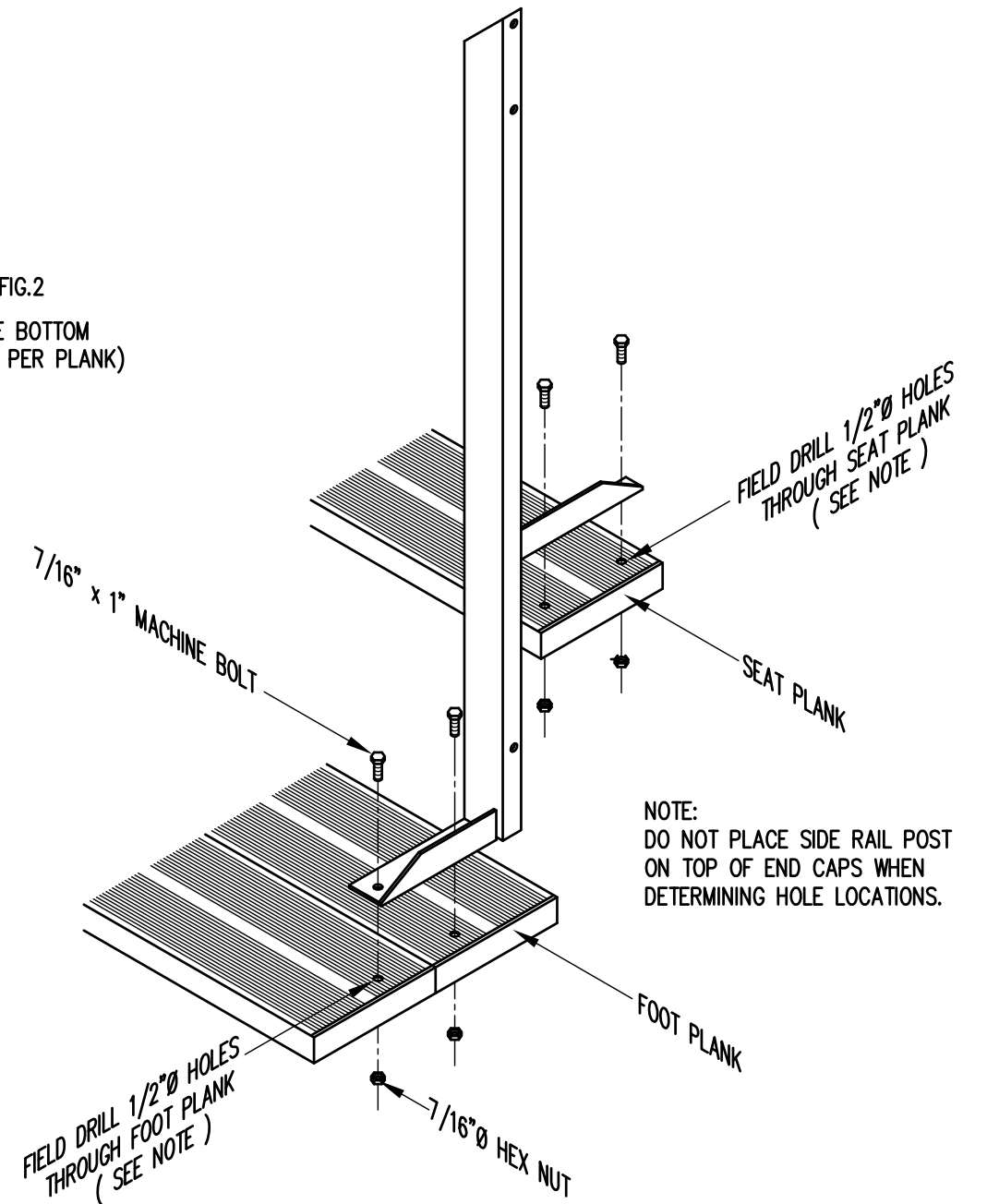


MID RAIL



LOWER RAIL

3/4" = 1'-0"

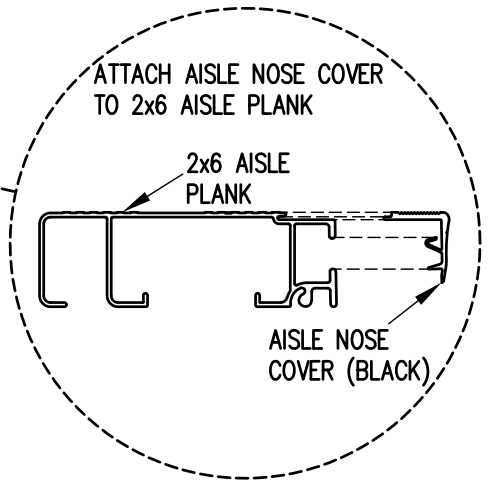
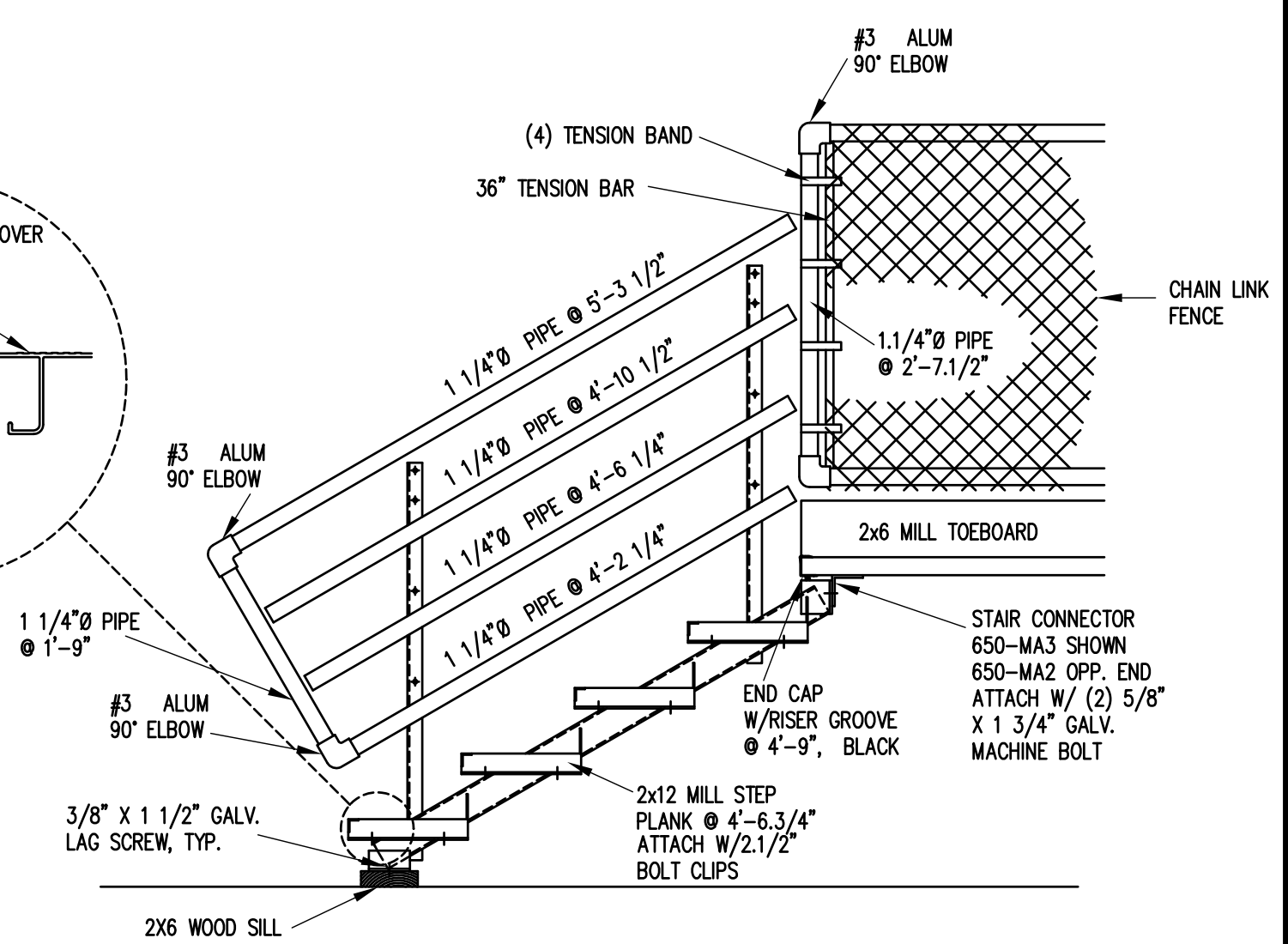
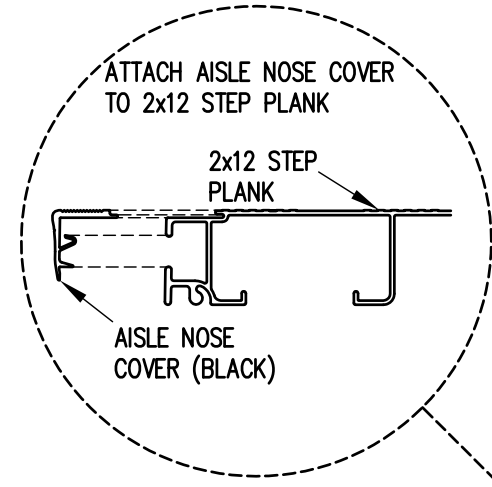
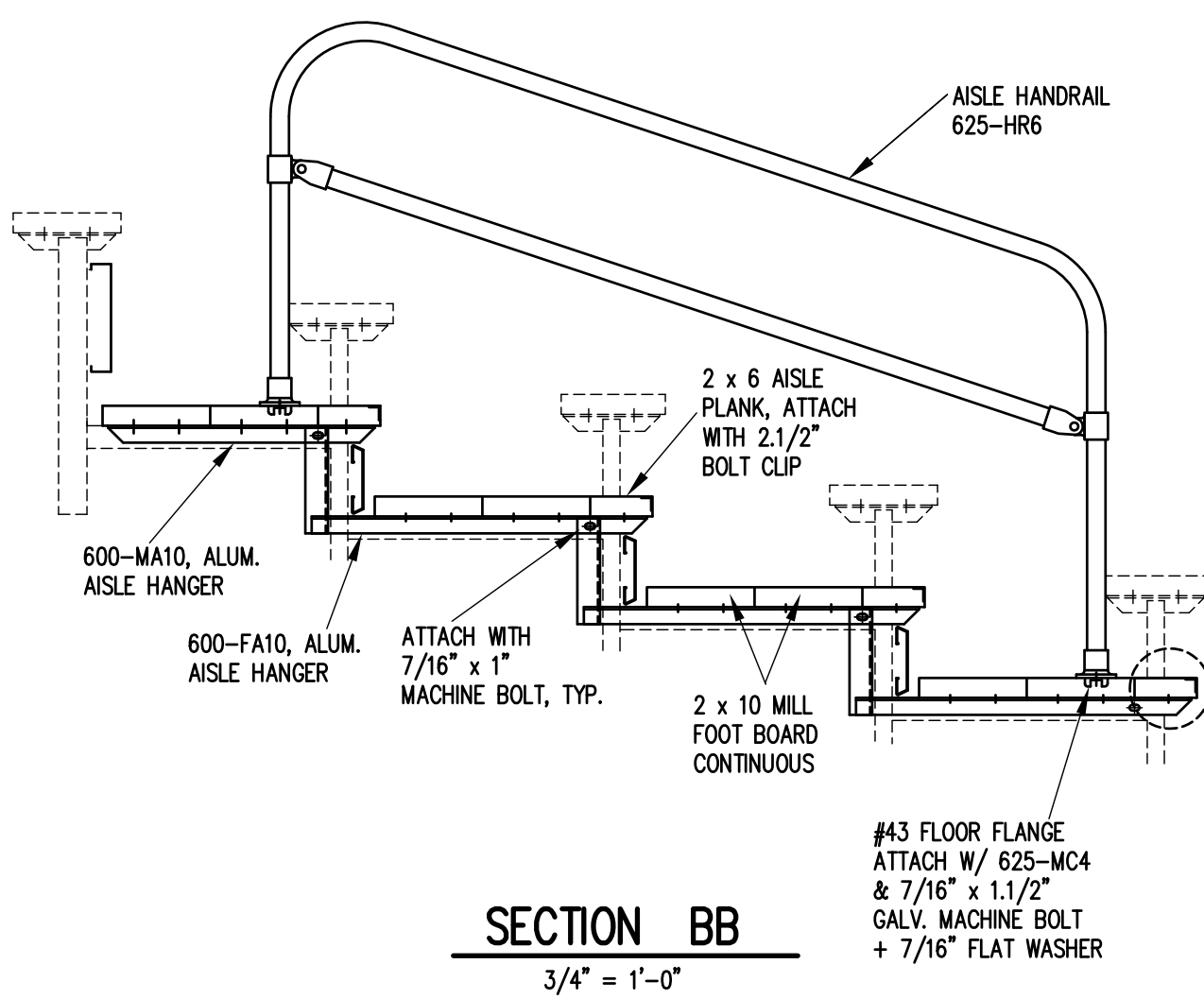


NOTE: DO NOT PLACE SIDE RAIL POST ON TOP OF END CAPS WHEN DETERMINING HOLE LOCATIONS.

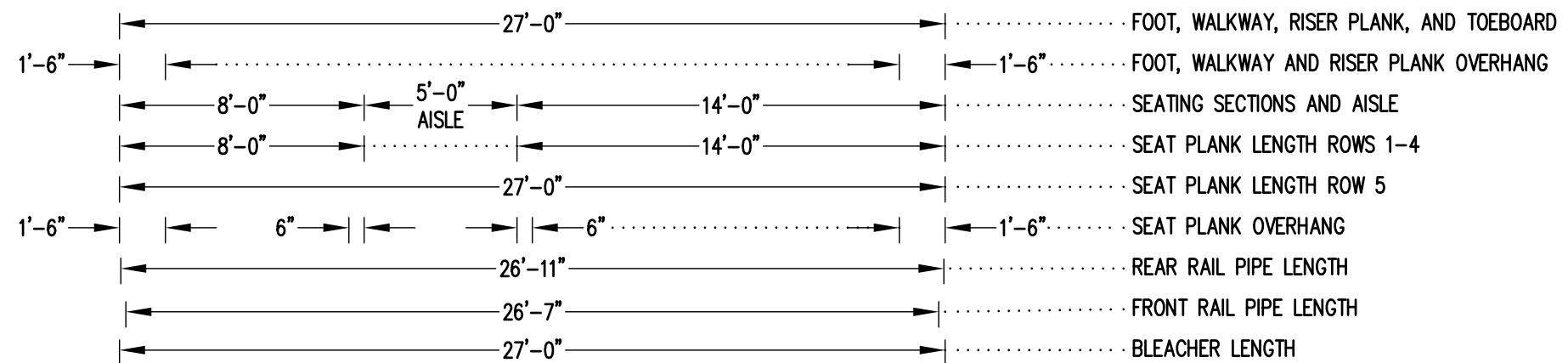
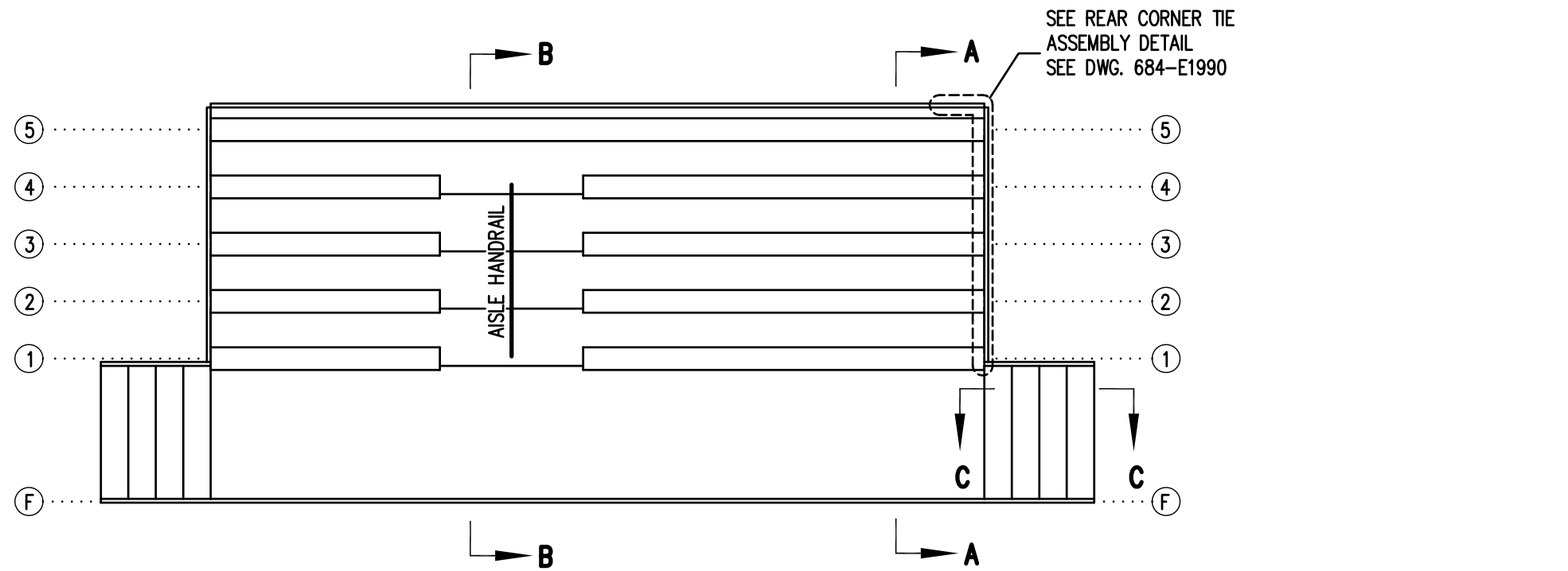
TYP. SIDE RAIL POST ATTACHMENT

1" = 1'-0"

		Outdoor Aluminum P.O. BOX 118 GENEVA, ALABAMA 36340 334-684-2296			
				SCALE AS NOTED	REVISIONS
DATE	11/2/00	SIDE GUARDRAIL TO OUTSIDE		WHW	03/02
DR'N	SS	CKD			
AP'VD					
TITLE				NO.	
TYPICAL DETAILS				684-E1990	




		P.O. BOX 118 GENEVA, ALABAMA 36340 334-684-2296		
		SCALE 3/4"=1'-0"	REVISIONS	BY
DATE 12/08/00	AISLE NOSE COVER		WHW	03/02
DR'N SS	CKD			
AP'VD				
TITLE DLWE 5 ROW AISLE & STAIR SECTION			NO. 684-E1997	

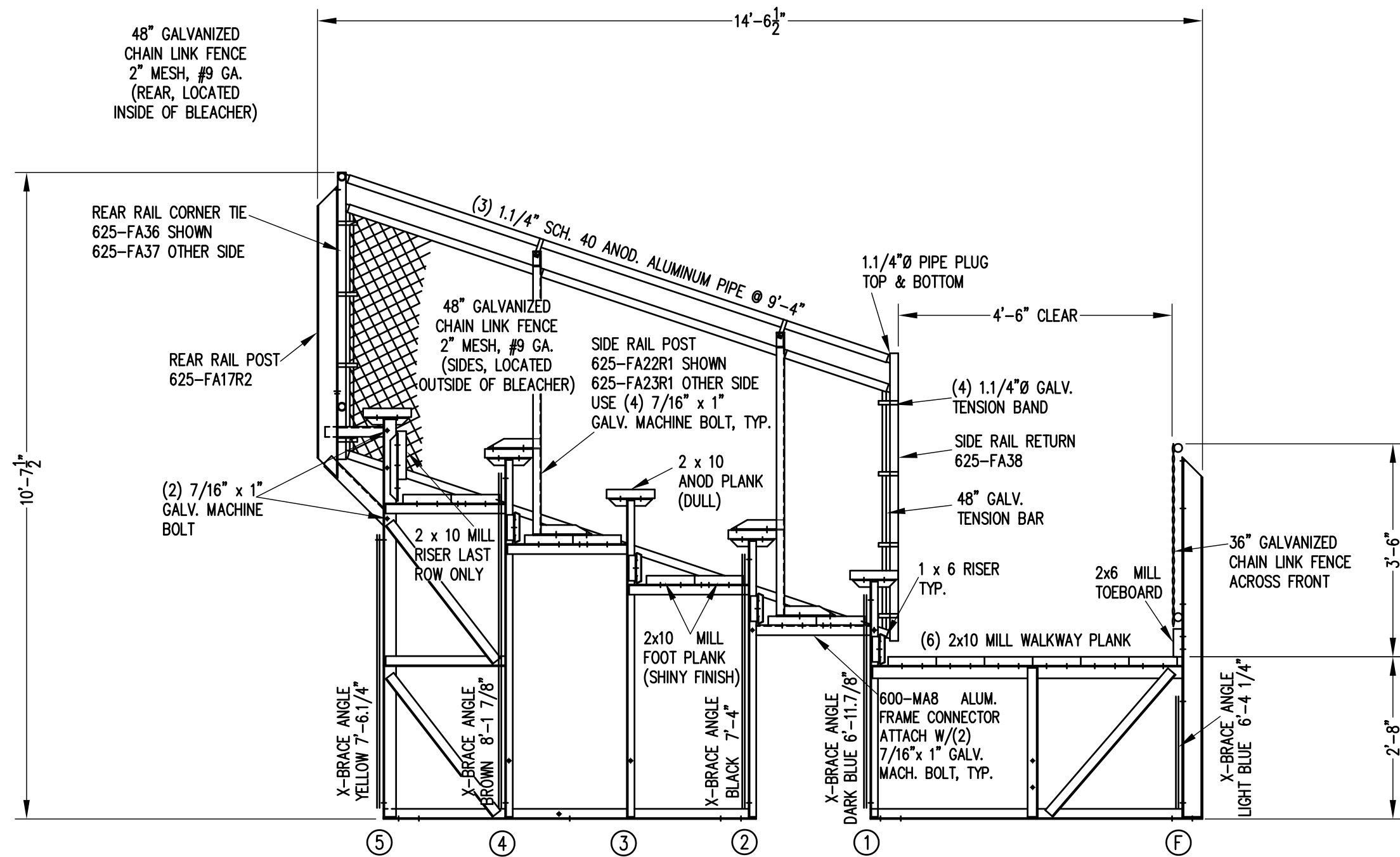


SEATING PLAN

3/16" = 1'-0"


74 NET SEATS @ 18" PER SEAT

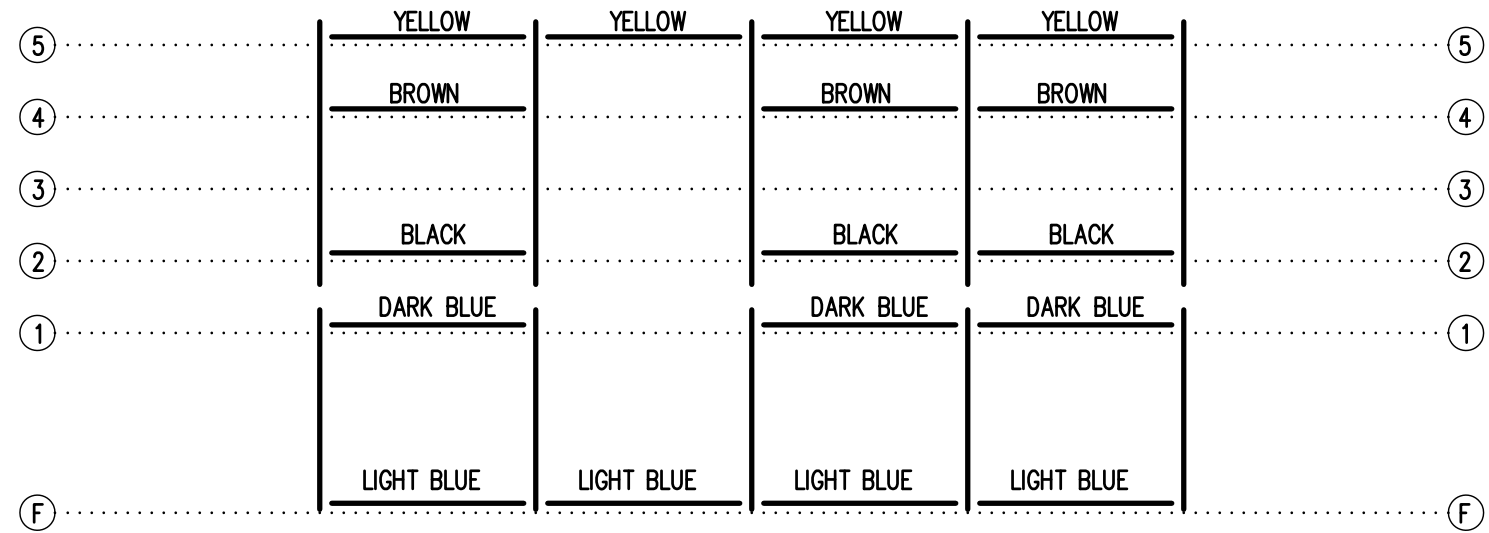
		Outdoor Aluminum P.O. BOX 118 GENEVA, ALABAMA 36340 334-684-2296			
				SCALE	REVISIONS
SCALE	3/16"=1'-0"	REVISIONS		BY	DATE
DATE	12/08/00	SIDE GUARDRAIL TO OUTSIDE		WHW	03/02
DR'N	SS	CKD			
AP'VD					
TITLE				NO.	
DLWE 5-27 SEATING PLAN				684-E2171	



SECTION AA

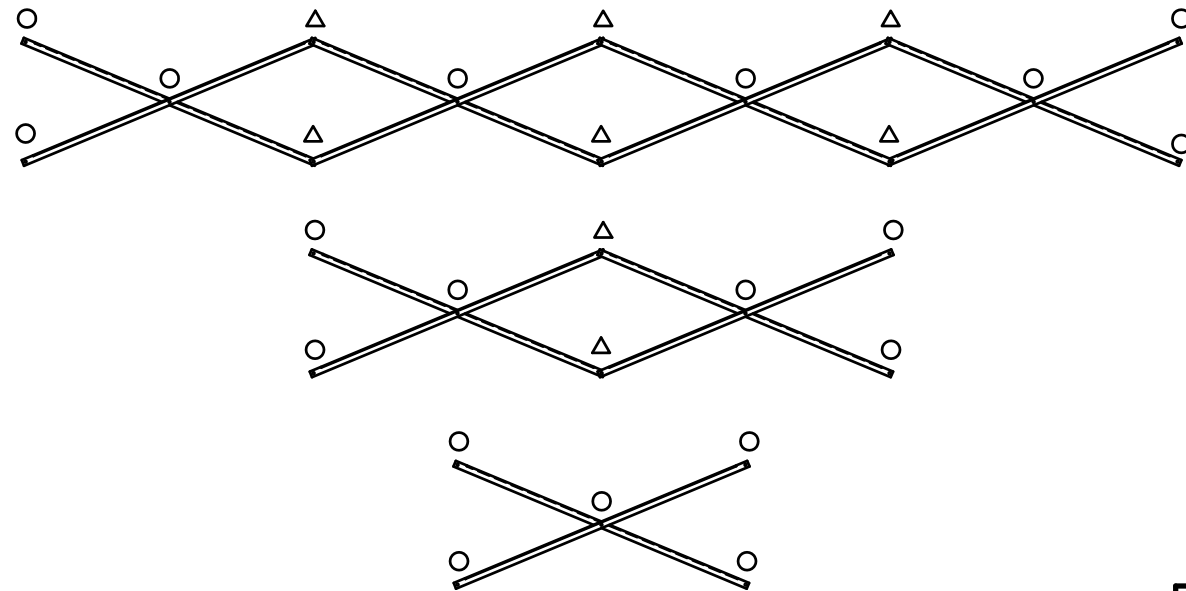
1/2" = 1'-0"

		P.O. BOX 118 GENEVA, ALABAMA 36340 334-684-2296					
		SCALE	1/2"=1'-0"	REVISIONS		BY	DATE
DATE	12/12/00	X-BRACE FROM BLUE TO DARK BLUE		CHM	03/97		
DR'N	SS	CKD	SIDE GUARDRAIL TO OUTSIDE	WHW	03/02		
AP'VD			FOOTBOARD SUPPORT,FA17R2,FA22R1,MA8	RS	09/06		
TITLE						NO.	
DLWE 5 ROW SECTION						684-E2181	



1'-6" → | ← 6'-0" → | ← 6'-0" → | ← 6'-0" → | ← 6'-0" → | ← 1'-6" FRAME SPACING


FRAMING PLAN
 $3/16" = 1'-0"$



X-BRACE DETAIL

N.T.S.

- 7/16" X 1" GALV. MACH. BOLT
- △ 7/16" X 1.1/2" GALV. MACH. BOLT

		Outdoor Aluminum		<small>P.O. BOX 118 GENEVA, ALABAMA 36340 334-684-2296</small>	
SCALE	$3/16" = 1'-0"$	REVISIONS	BY	DATE	
DATE	12/08/00				
DR'N	SS	CKD			
AP'VD					
TITLE				NO.	
DLWE 5-27 FRAMING PLAN				684-E2241	