

**BOLT CLIP DETAIL**

1.1/2" = 1'-0"



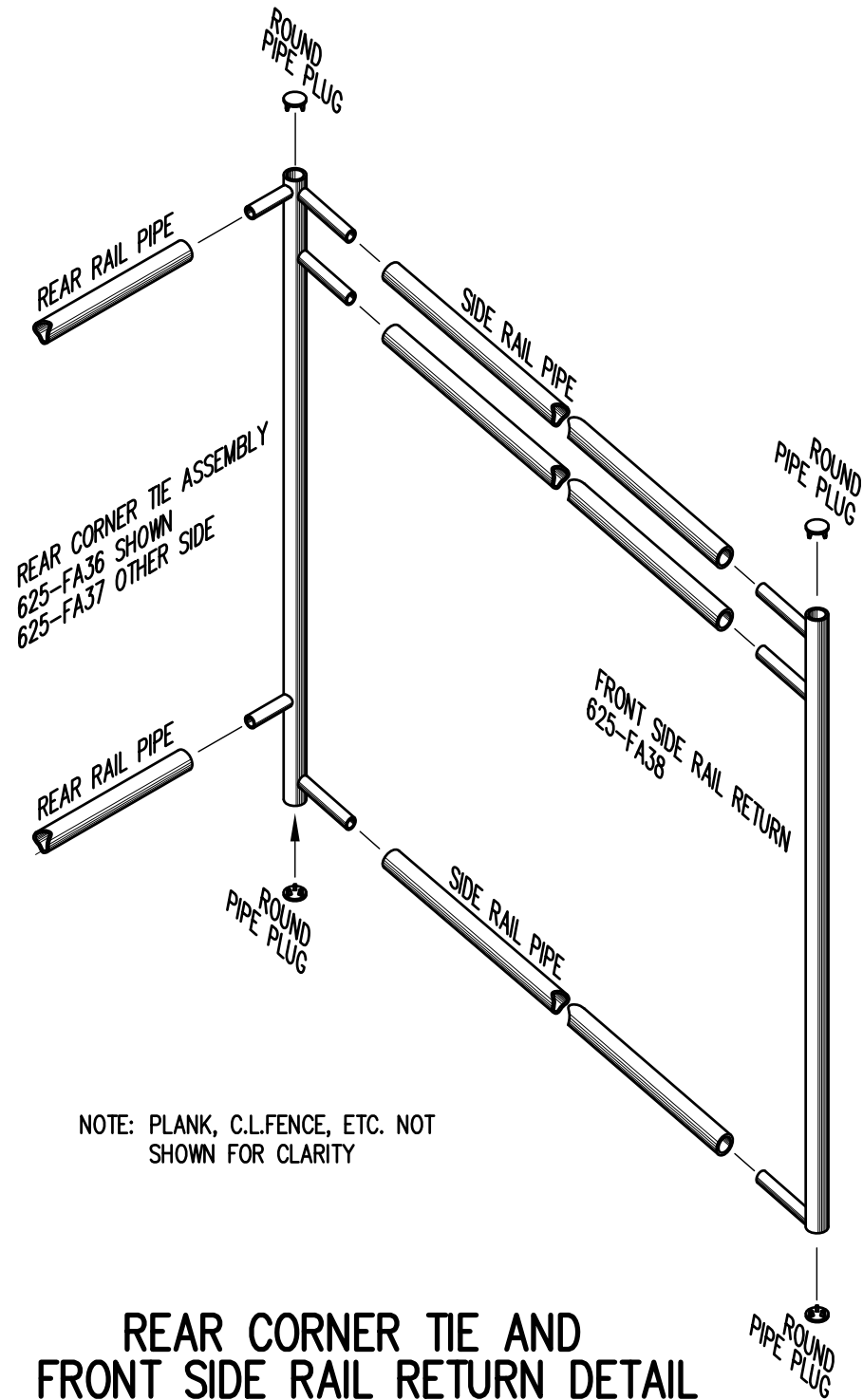
FIG.1

FIG.2

- 1) LOCATE THE CHANNEL END CAP AS SHOWN IN FIG. 1.
- 2) TAP END CAP INTO PLACE WITH RUBBER Mallet OR SOFT WOOD. FIG.2
- 3) DRILL TWO 5/32" HOLES THROUGH THE BOTTOM FLANGE AND THE BOTTOM OUTSIDE PLANK FLANGES. INSTALL TWO 3/16" x 1/4" RIVETS. (2 PER PLANK)

**END CAP DETAIL**

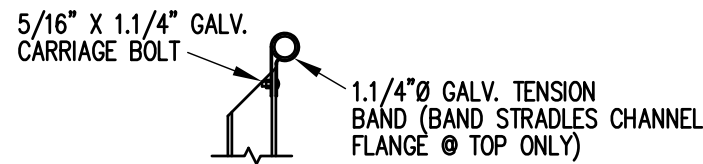
N.T.S.



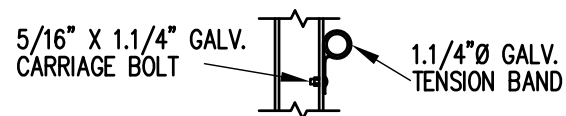
NOTE: PLANK, C.L.FENCE, ETC. NOT SHOWN FOR CLARITY

**REAR CORNER TIE AND FRONT SIDE RAIL RETURN DETAIL**

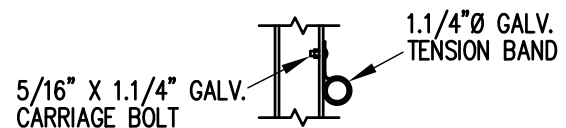
3/4" = 1'-0"



**TOP RAIL**

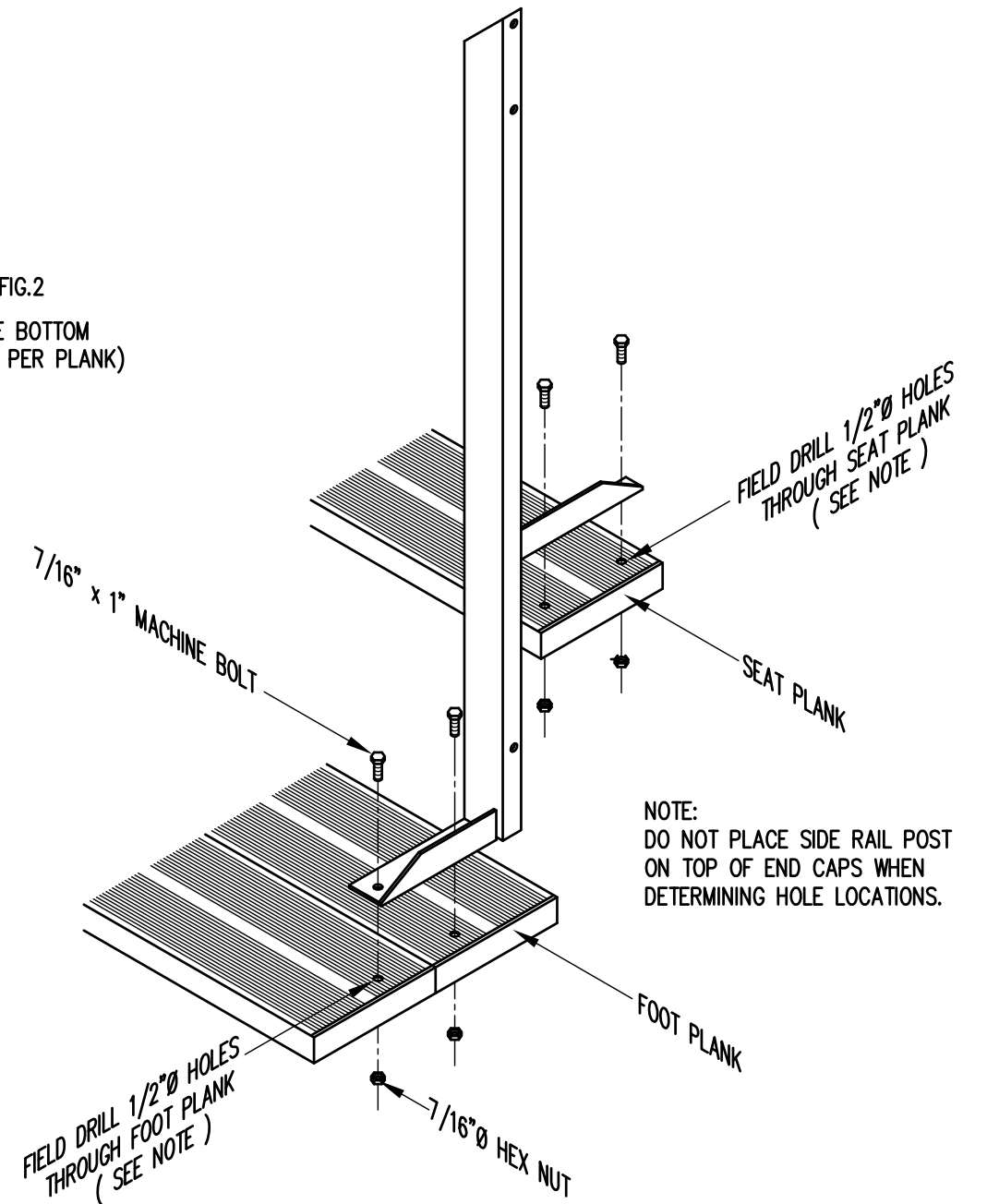


**MID RAIL**



**LOWER RAIL**

3/4" = 1'-0"

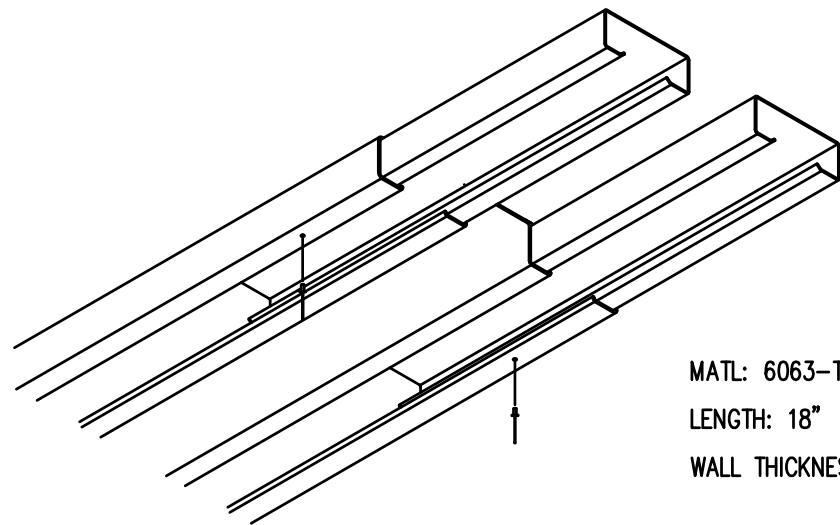


NOTE: DO NOT PLACE SIDE RAIL POST ON TOP OF END CAPS WHEN DETERMINING HOLE LOCATIONS.

**TYP. SIDE RAIL POST ATTACHMENT**

1" = 1'-0"

		P.O. BOX 118 GENEVA, ALABAMA 36340 334-684-2296			
		SCALE	AS NOTED	REVISIONS	BY
DATE	11/2/00	SIDE GUARDRAIL TO OUTSIDE		WHW	03/02
DR'N	SS	CKD			
AP'VD					
TITLE				NO.	
TYPICAL DETAILS				684-E1990	



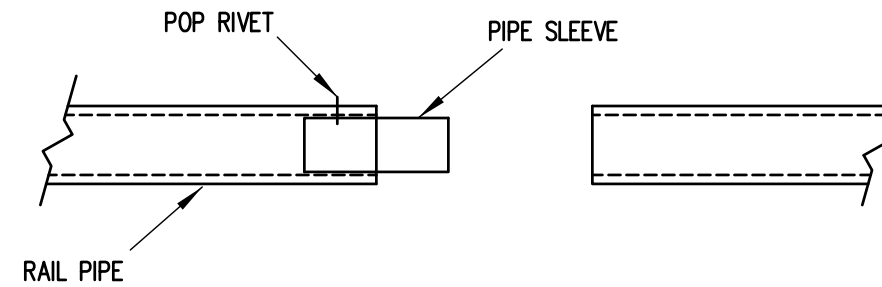
MATL: 6063-T6 ALUMN.  
 LENGTH: 18"  
 WALL THICKNESS: .062"

- 1) INSERT SLEEVES APPROXIMATELY HALFWAY INTO THE PLANK WITH THE ENDS STAGGERED ABOUT 1/2". FASTEN SLEEVE WITH (1) ALUMINUM POP RIVET.
- 2) SLIDE THE END OF THE ADJOINING PLANK OVER THE SLEEVES UNTIL THE TWO PLANKS ARE SNUG.

NOTE: SLEEVES SHOULD BE ATTACHED ON ONLY ONE END TO ALLOW FOR EXPANSION.

## PLANK SPLICE SLEEVE ASSEMBLY

(TYP. @ ALL PLANK SPLICES)




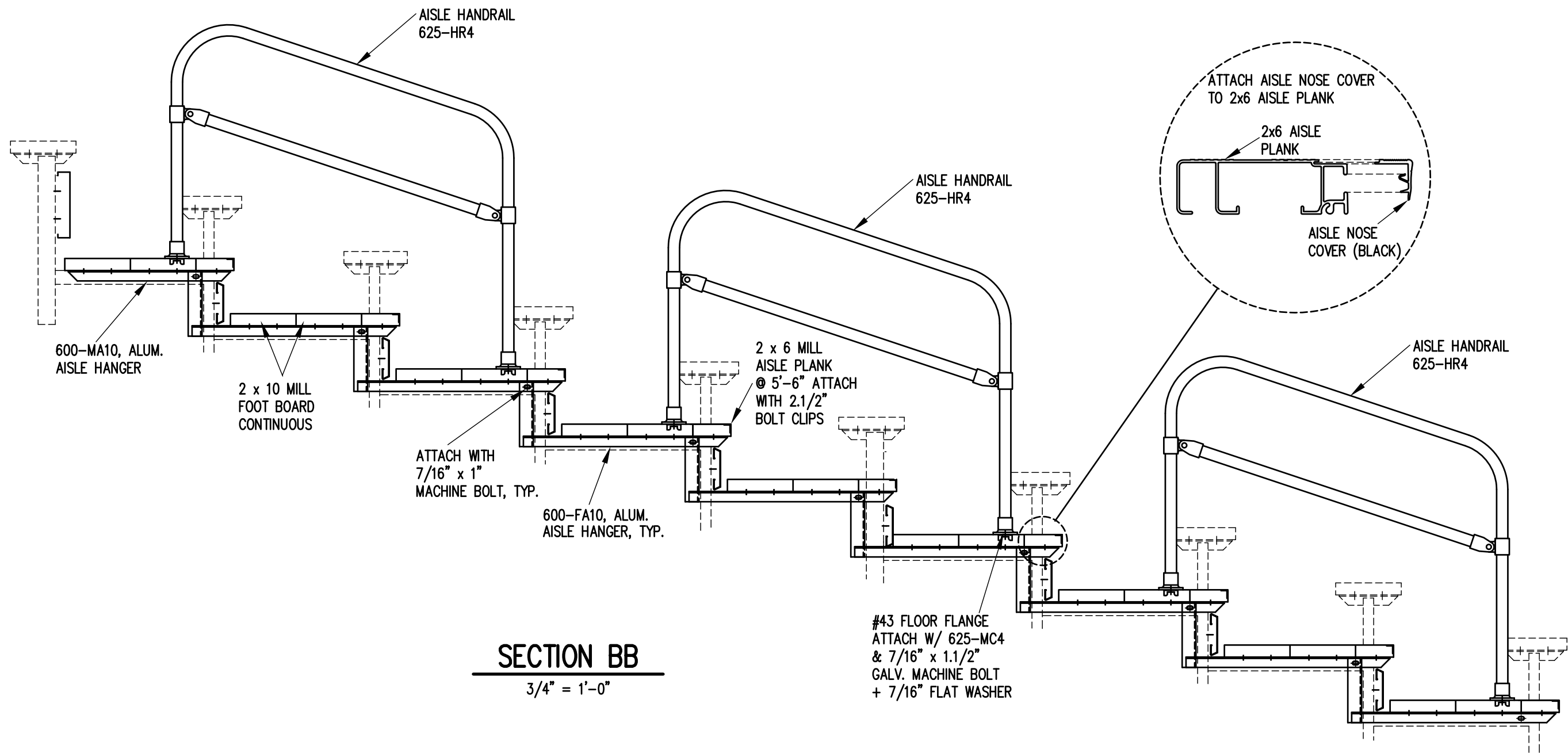
## PIPE SLEEVE ASSEMBLY

1.1/2" = 1' 0"

- 1) INSERT PIPE SLEEVE APPROXIMATELY HALFWAY INTO THE RAIL PIPE. FASTEN PIPE SLEEVE WITH (1) ALUMINUM POP RIVET (5/32" X 5/8")
- 2) SLIDE THE END OF THE ADJOINING RAILPIPE OVER THE PIPE SLEEVE UNTIL THE TWO RAILS ARE FLUSH.


NOTE: PIPE SLEEVES SHOULD BE ATTACHED ON ONLY ONE END TO ALLOW FOR EXPANSION.

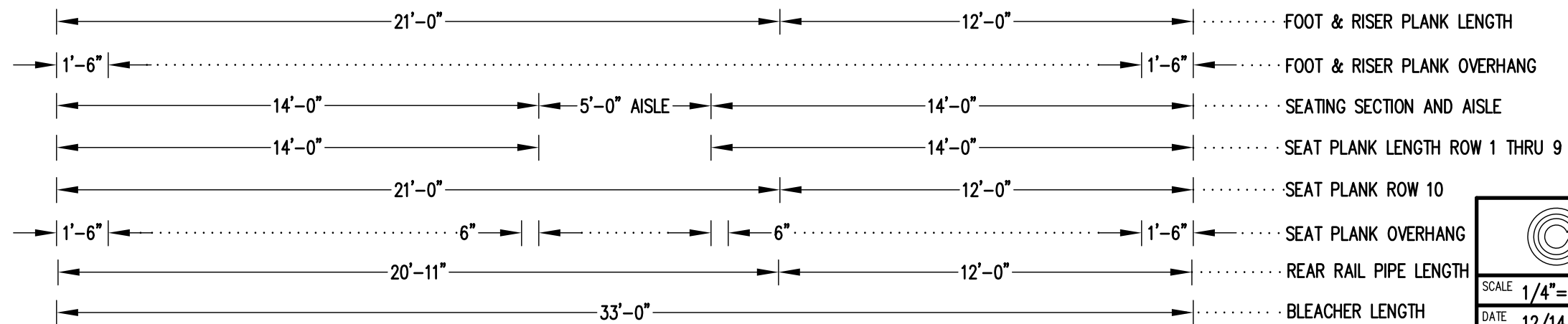
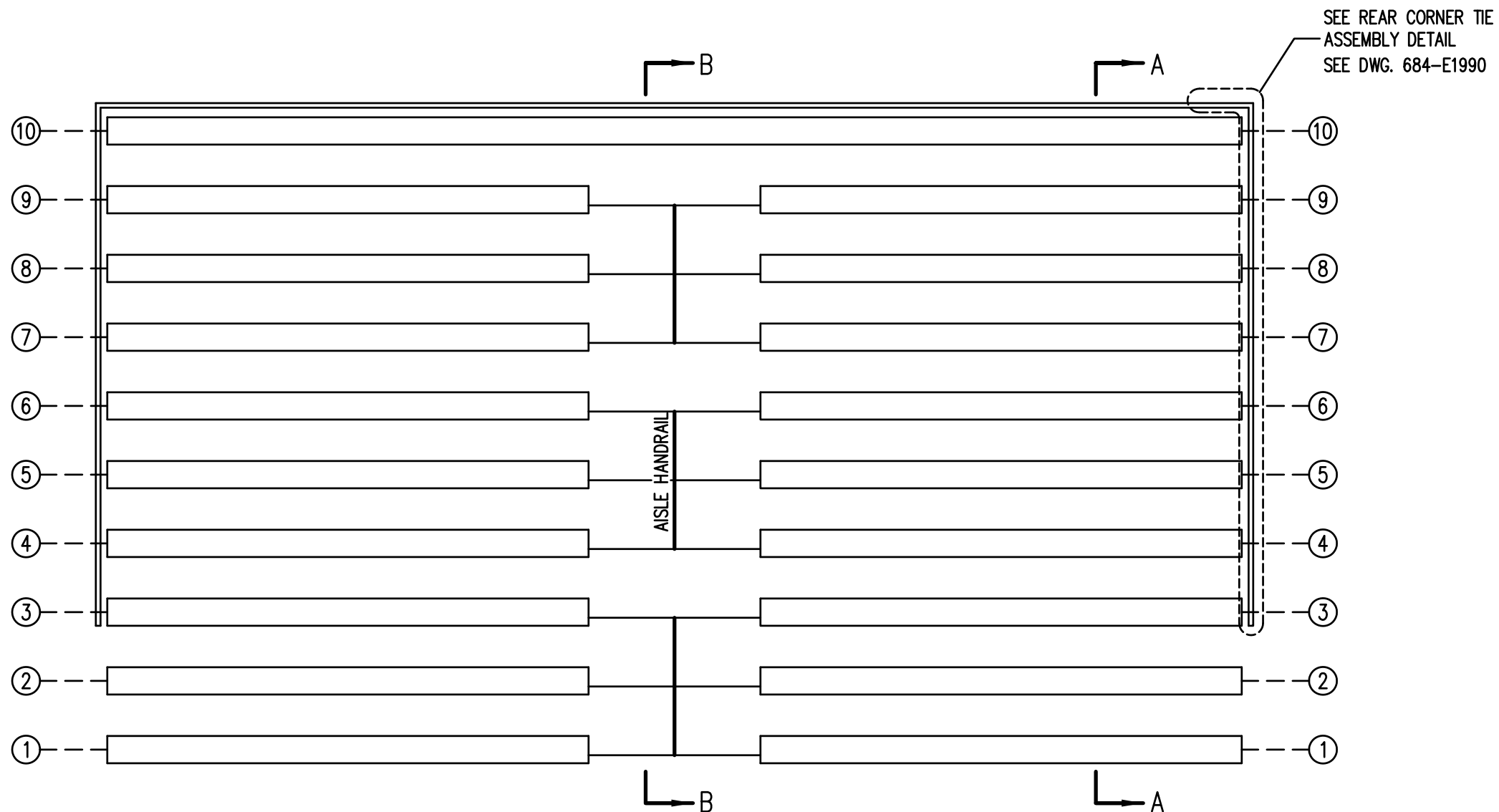
		<b>Outdoor Aluminum</b>		<small>P.O. BOX 118 GENEVA, ALABAMA 36340 334-684-2296</small>	
SCALE	AS NOTED	REVISIONS		BY	DATE
DATE	11/6/00				
DR'N	SS CKD				
AP'VD					
TITLE					NO.
SPLICE SLEEVE ASSEMBLY					<b>684-E1994</b>




**SECTION BB**

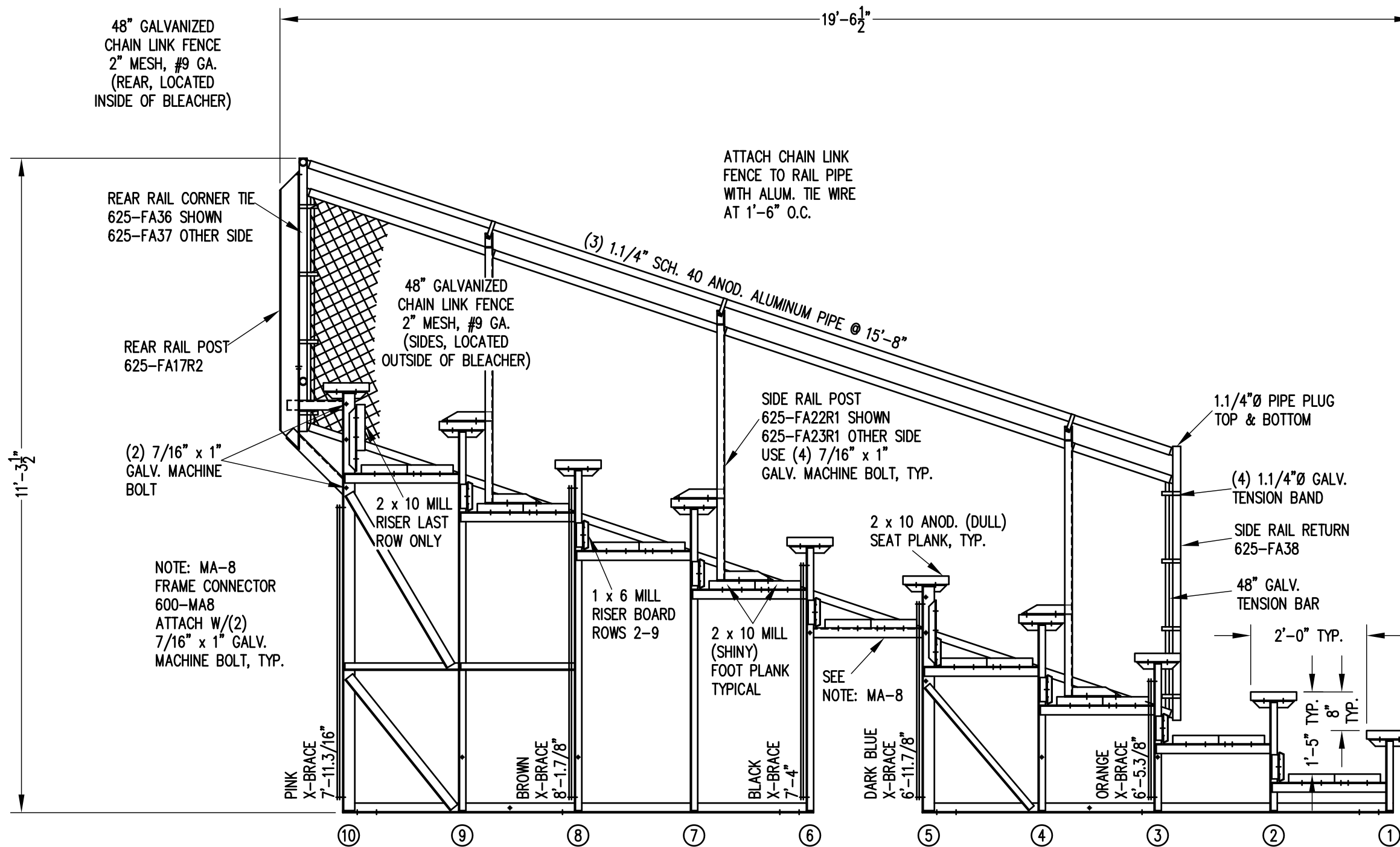
3/4" = 1'-0"

		<b>Outdoor Aluminum</b> P.O. BOX 118 GENEVA, ALABAMA 36340 334-684-2296			
				SCALE	REVISIONS
DATE	8/24/99	AISLE NOSE COVER		WHW	03/02
DR'N	SS	CKD			
AP'VD					
TITLE				NO.	
10 ROW AISLE SECTION				684-E1996	



**SEATING PLAN**  
 1/4" = 1'-0"  
 184 NET SEAT @ 18" PER SEAT

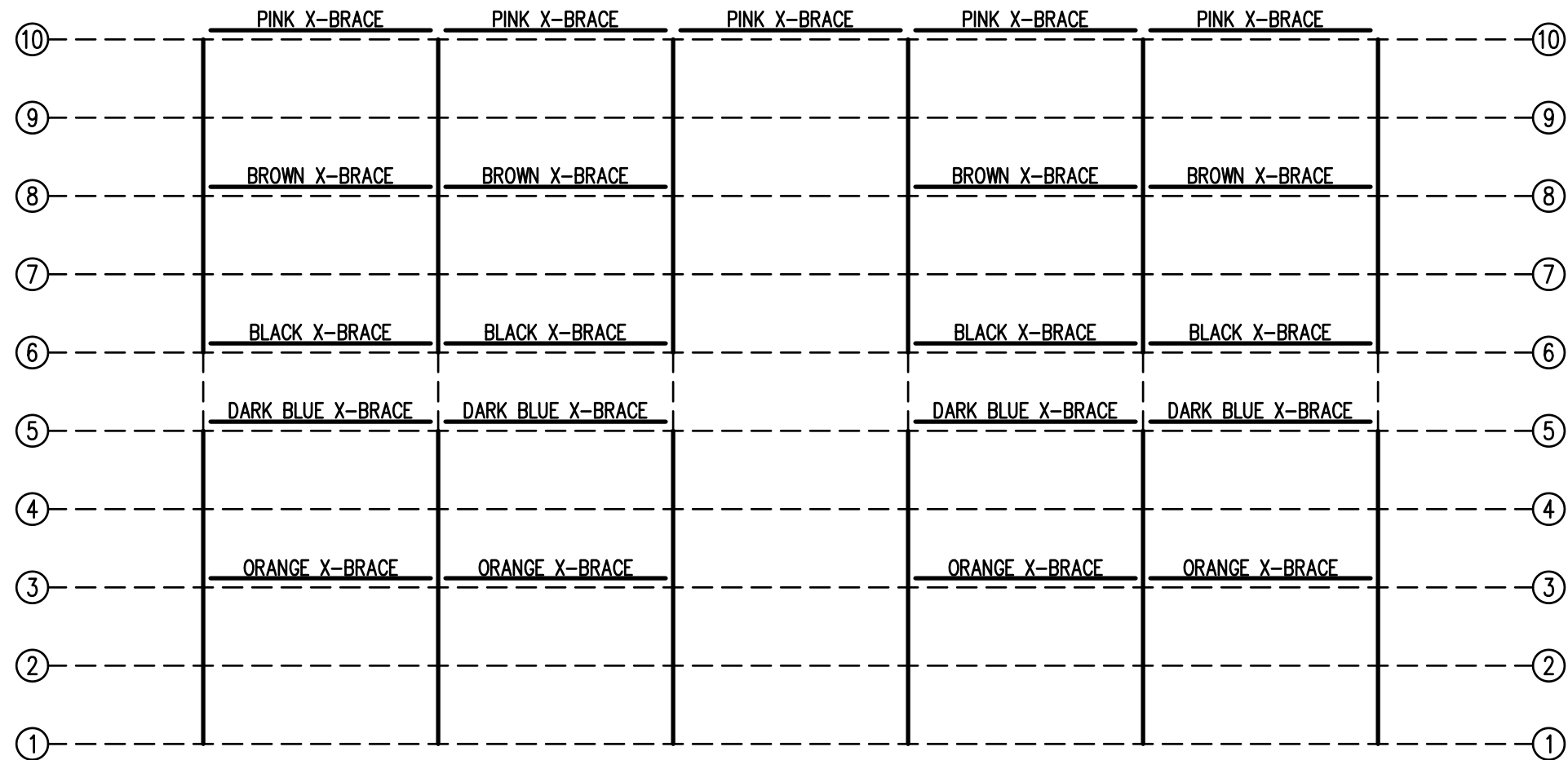
		<b>Outdoor Aluminum</b> <small>P.O. BOX 118        GENEVA, ALABAMA 36340        334-684-2296</small>		
				SCALE 1/4"=1'-0"
DATE 12/14/00	SIDE GUARDRAIL TO OUTSIDE		WHW	03/02
DR'N SS CKD				
AP'VD				
TITLE			NO.	
DLWA 10-33 SEATING PLAN W/AISLE			684-E2118	



**SECTION AA**

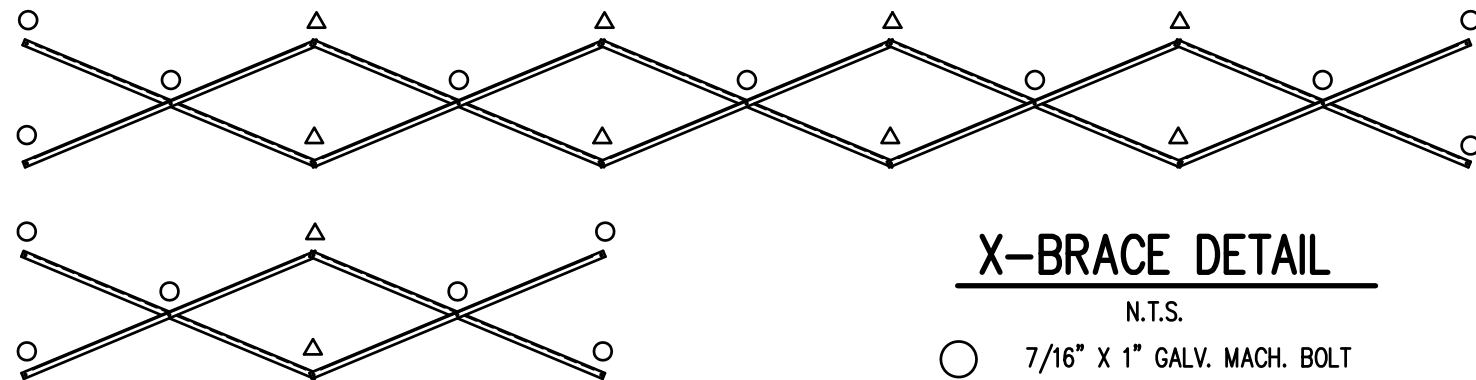
1/2" = 1'-0"

		P.O. BOX 118 GENEVA, ALABAMA 36340 334-684-2296	
		SCALE 1/2"=1'-0"	REVISIONS
DATE 11/30/00	X-BRACE FROM BLUE TO DARK BLUE	CHM	03/97
DR'N SS CKD	SIDE GUARDRAIL TO OUTSIDE	WHW	03/02
AP'VD	FOOTBOARD SUPPORT,FA17R2,FA22R1,MA-8	RS	09/06
TITLE			NO.
DLW 10 ROW SECTION DOUBLE FOOTBOARD			<b>684-E2123</b>



**FRAMING PLAN**

1/4" = 1'-0"



**X-BRACE DETAIL**

N.T.S.

- 7/16" X 1" GALV. MACH. BOLT
- △ 7/16" X 1.1/2" GALV. MACH. BOLT

		P.O. BOX 118 GENEVA, ALABAMA 36340 334-684-2296		
		<b>Outdoor Aluminum</b>		
SCALE	AS NOTED	REVISIONS	BY	DATE
DATE	12/04/00			
DR'N	SS	CKD		
AP'VD				
TITLE			NO.	
DLWA 10-33 FRAMING PLAN W/AISLE			684-E2158	