

BOLT CLIP DETAIL

1.1/2" = 1'-0"



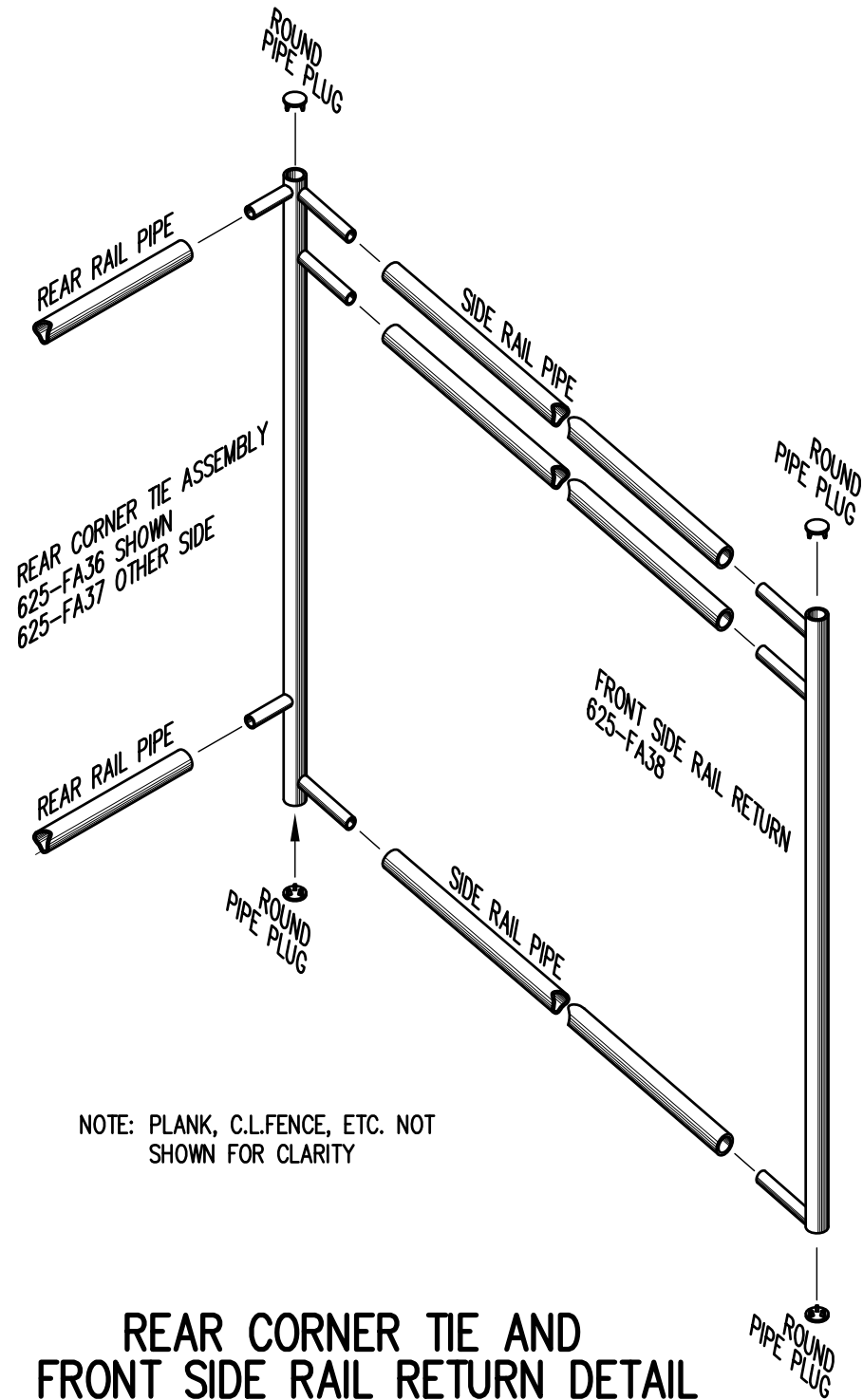
FIG.1

FIG.2

- 1) LOCATE THE CHANNEL END CAP AS SHOWN IN FIG. 1.
- 2) TAP END CAP INTO PLACE WITH RUBBER Mallet OR SOFT WOOD. FIG.2
- 3) DRILL TWO 5/32" HOLES THROUGH THE BOTTOM FLANGE AND THE BOTTOM OUTSIDE PLANK FLANGES. INSTALL TWO 3/16" x 1/4" RIVETS. (2 PER PLANK)

END CAP DETAIL

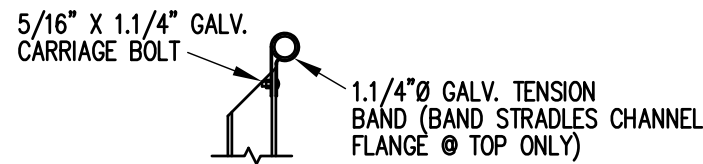
N.T.S.



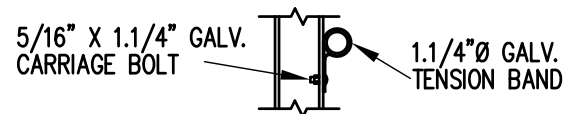
NOTE: PLANK, C.L.FENCE, ETC. NOT SHOWN FOR CLARITY

REAR CORNER TIE AND FRONT SIDE RAIL RETURN DETAIL

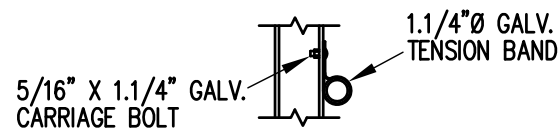
3/4" = 1'-0"



TOP RAIL

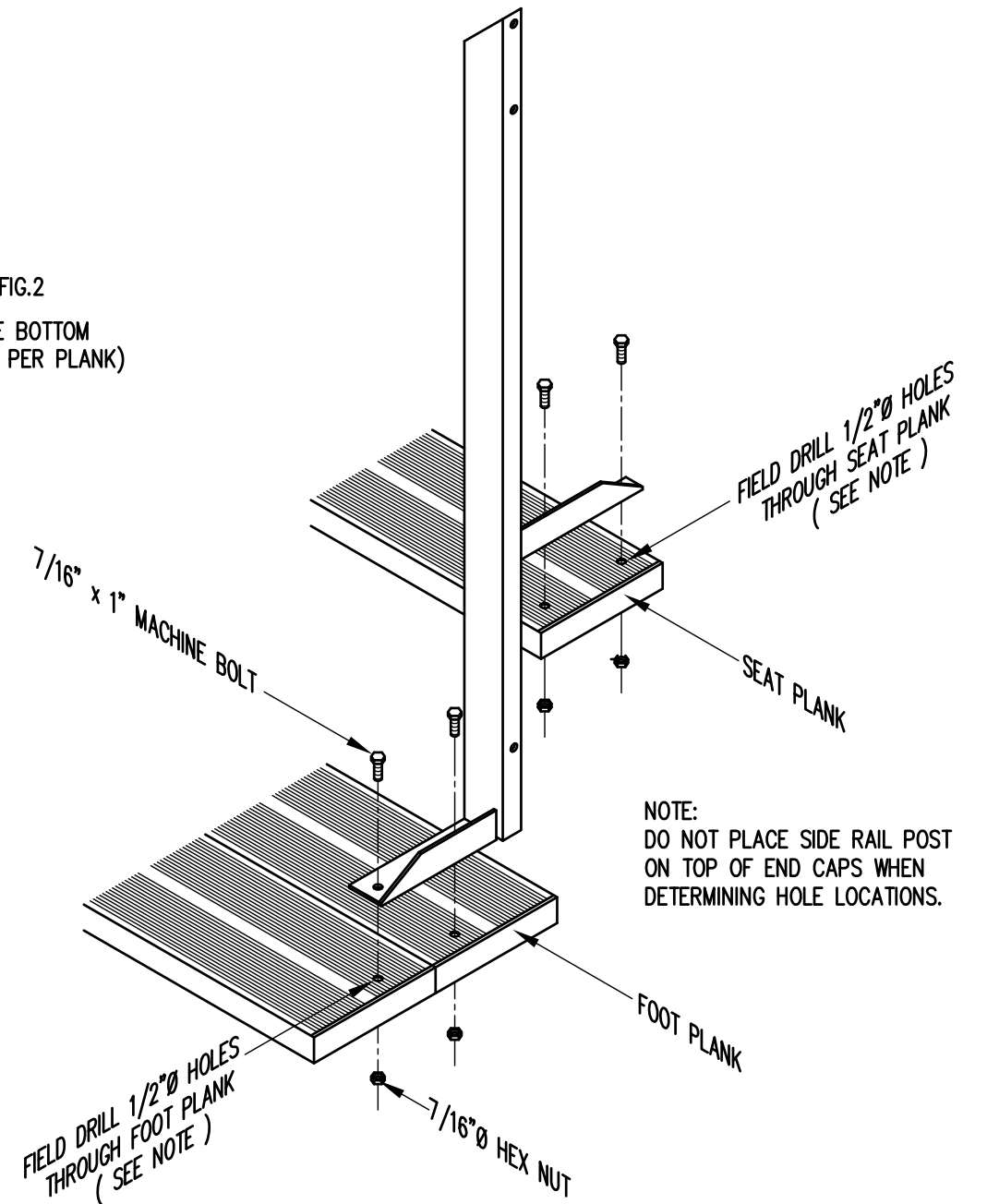


MID RAIL



LOWER RAIL

3/4" = 1'-0"

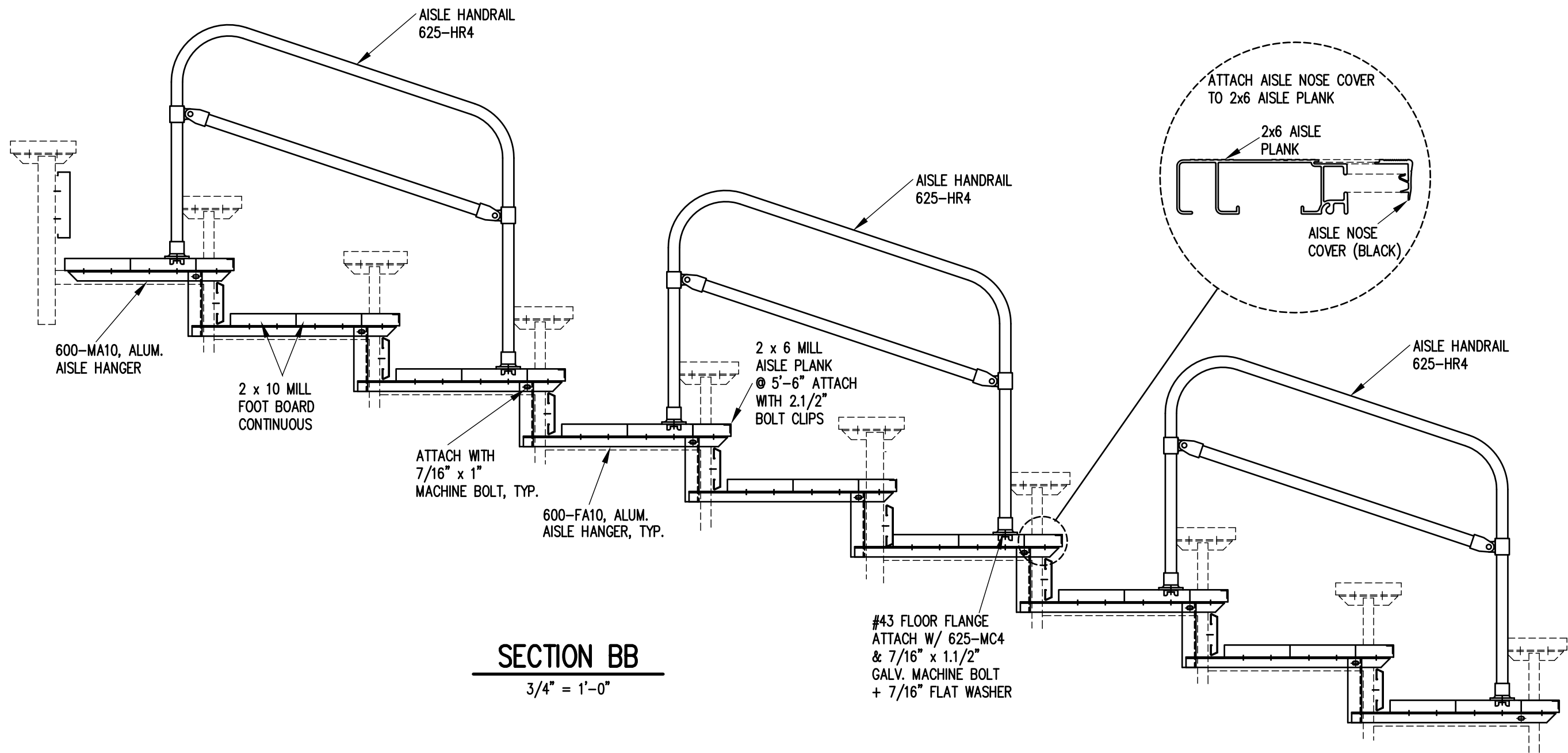


NOTE: DO NOT PLACE SIDE RAIL POST ON TOP OF END CAPS WHEN DETERMINING HOLE LOCATIONS.

TYP. SIDE RAIL POST ATTACHMENT


1" = 1'-0"

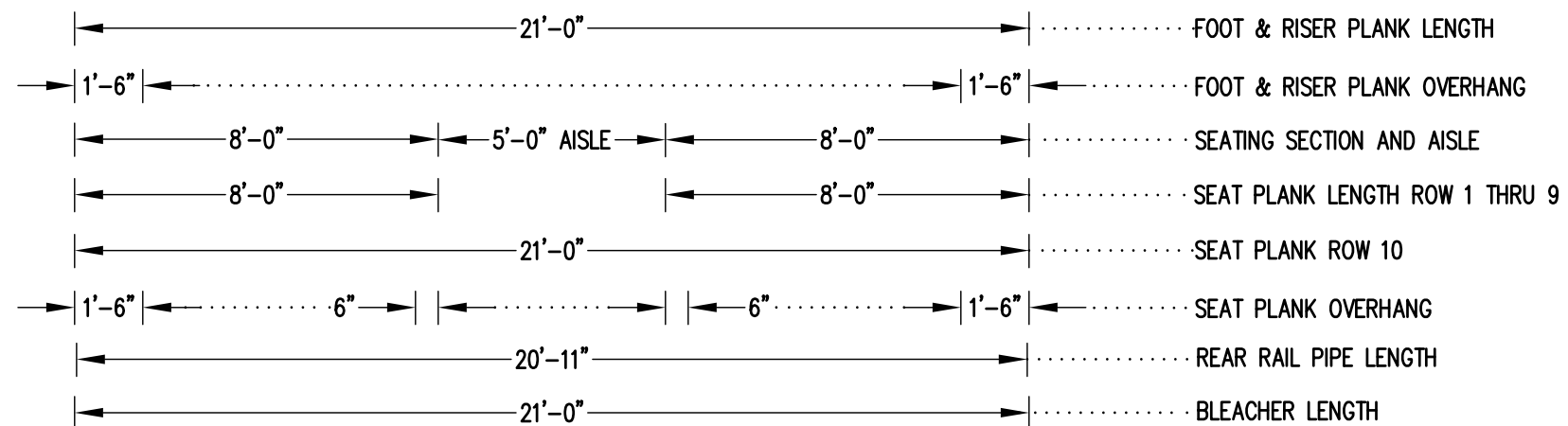
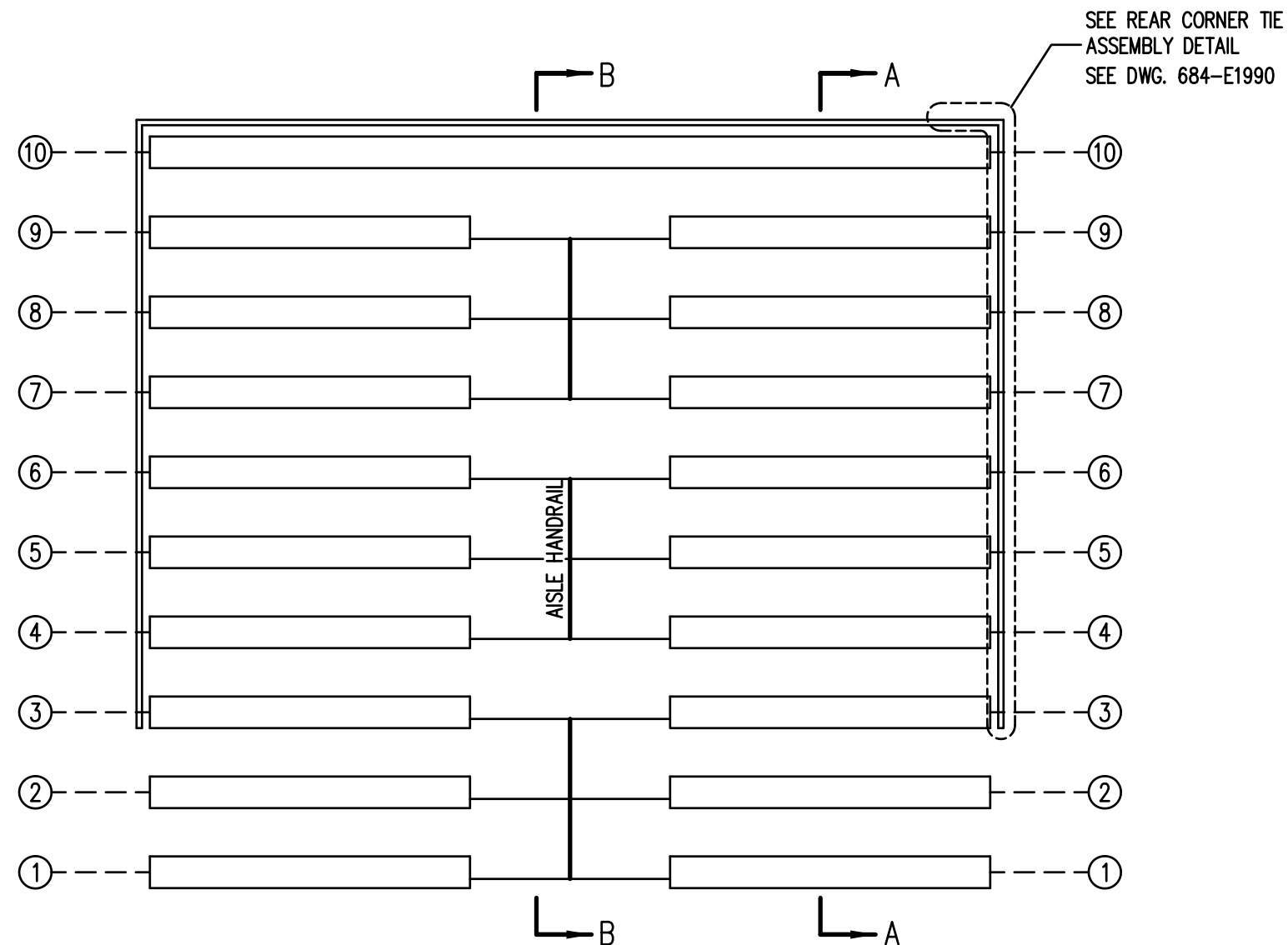
		Outdoor Aluminum P.O. BOX 118 GENEVA, ALABAMA 36340 334-684-2296			
				SCALE AS NOTED	REVISIONS
DATE	11/2/00	SIDE GUARDRAIL TO OUTSIDE		WHW	03/02
DR'N	SS CKD				
AP'VD					
TITLE				NO.	
TYPICAL DETAILS				684-E1990	



SECTION BB

3/4" = 1'-0"

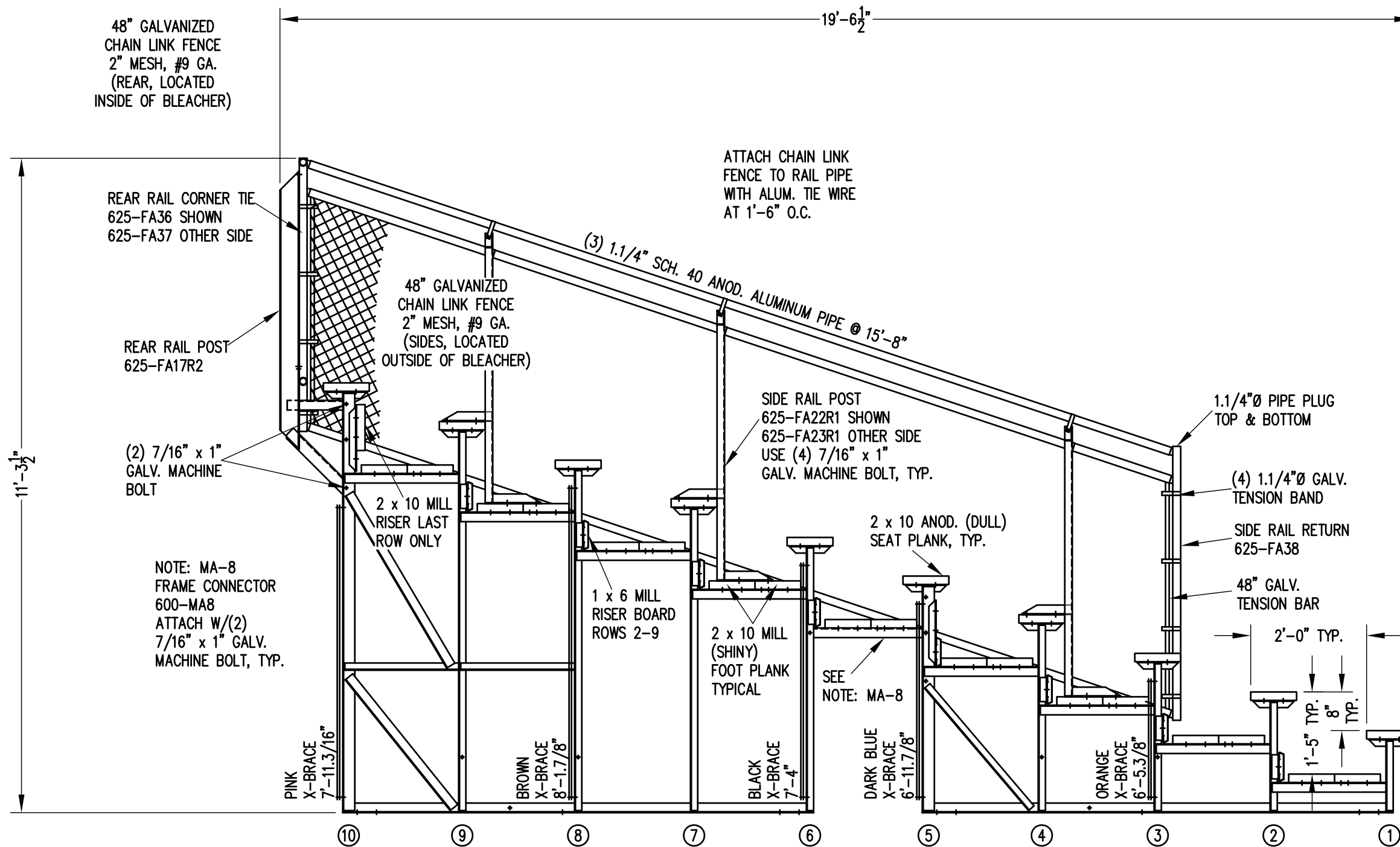
		Outdoor Aluminum		P.O. BOX 118 GENEVA, ALABAMA 36340 334-684-2296	
SCALE	3/4"=1'-0"	REVISIONS		BY	DATE
DATE	8/24/99	AISLE NOSE COVER		WHW	03/02
DR'N	SS	CKD			
AP'VD					
TITLE	10 ROW AISLE SECTION				NO. 684-E1996



SEATING PLAN


1/4" = 1'-0"
 104 NET SEAT @ 18" PER SEAT

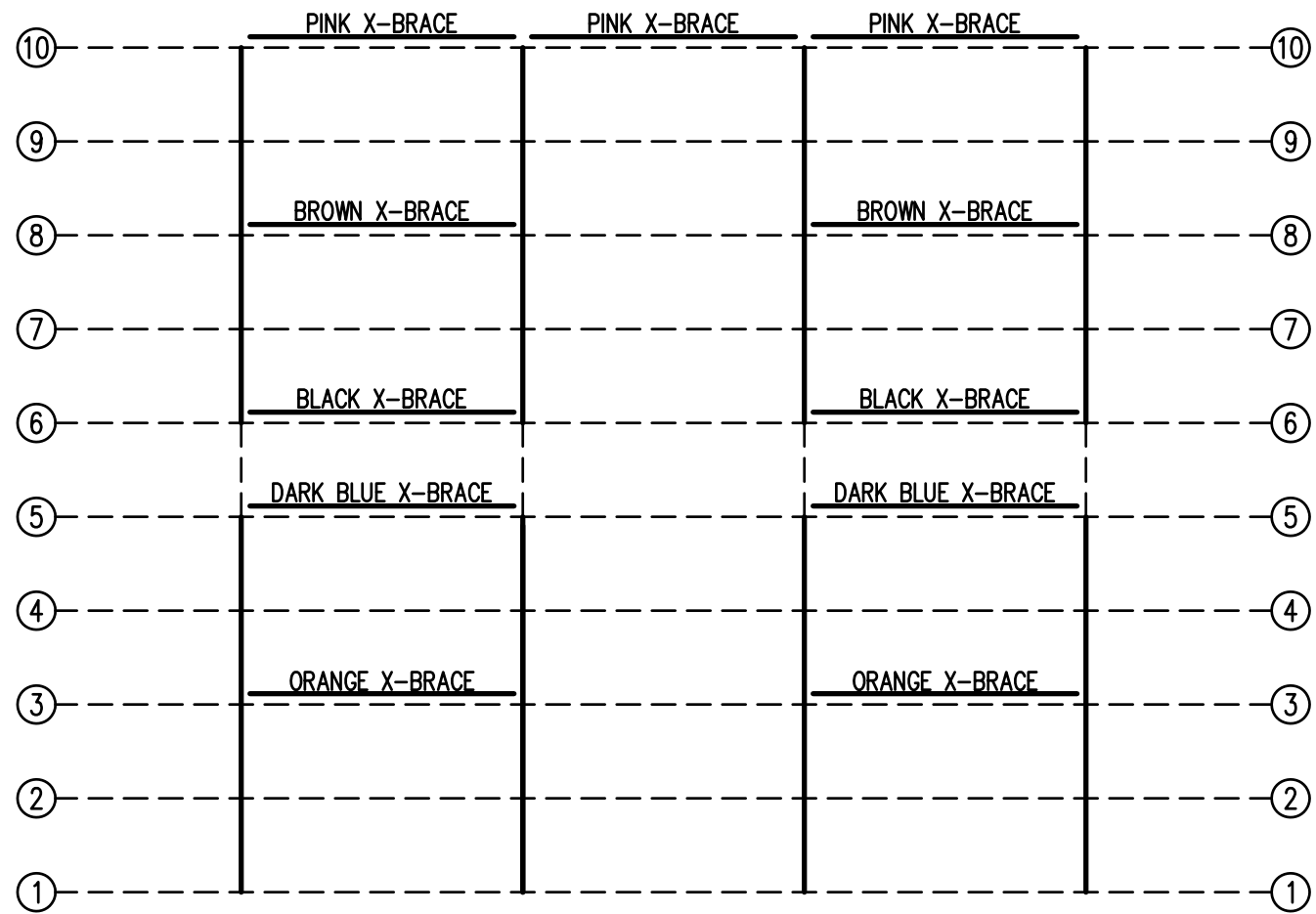
		P.O. BOX 118 GENEVA, ALABAMA 36340 334-684-2296		
		SCALE 1/4"=1'-0"	REVISIONS	BY
DATE 12/13/00	SIDE GUARDRAIL TO OUTSIDE		WHW	03/02
DR'N SS CKD				
AP'VD				
TITLE			NO.	
DLWA 10-21 SEATING PLAN W/AISLE			684-E2108	



SECTION AA

1/2" = 1'-0"

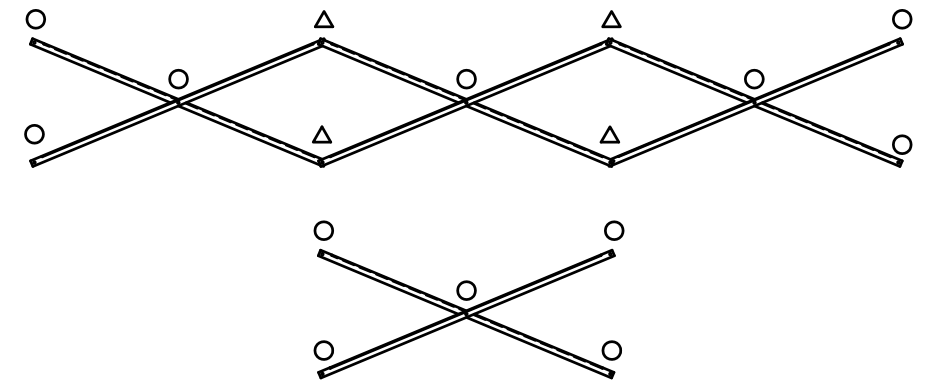
		Outdoor Aluminum P.O. BOX 118 GENEVA, ALABAMA 36340 334-684-2296		
				SCALE 1/2"=1'-0"
DATE 11/30/00	X-BRACE FROM BLUE TO DARK BLUE		CHM	03/97
DR'N SS CKD	SIDE GUARDRAIL TO OUTSIDE		WHW	03/02
AP'VD	FOOTBOARD SUPPORT,FA17R2,FA22R1,MA-8		RS	09/06
TITLE			NO.	
DLW 10 ROW SECTION DOUBLE FOOTBOARD			684-E2123	



→ | 1'-6" | ← | 6'-0" | → | 6'-0" | → | 6'-0" | → | 1'-6" | ← FRAME SPACING

FRAMING PLAN


1/4" = 1'-0"



X-BRACE DETAIL

N.T.S.

- 7/16" X 1" GALV. MACH. BOLT
- △ 7/16" X 1.1/2" GALV. MACH. BOLT

		P.O. BOX 118 GENEVA, ALABAMA 36340 334-684-2296		
		Outdoor Aluminum		
SCALE	AS NOTED	REVISIONS	BY	DATE
DATE	11/29/00			
DR'N	SS CKD			
AP'VD				
TITLE			NO.	
DLWA 10-21 FRAMING PLAN W/AISLE			684-E2148	