

BOLT CLIP DETAIL

1.1/2" = 1'-0"

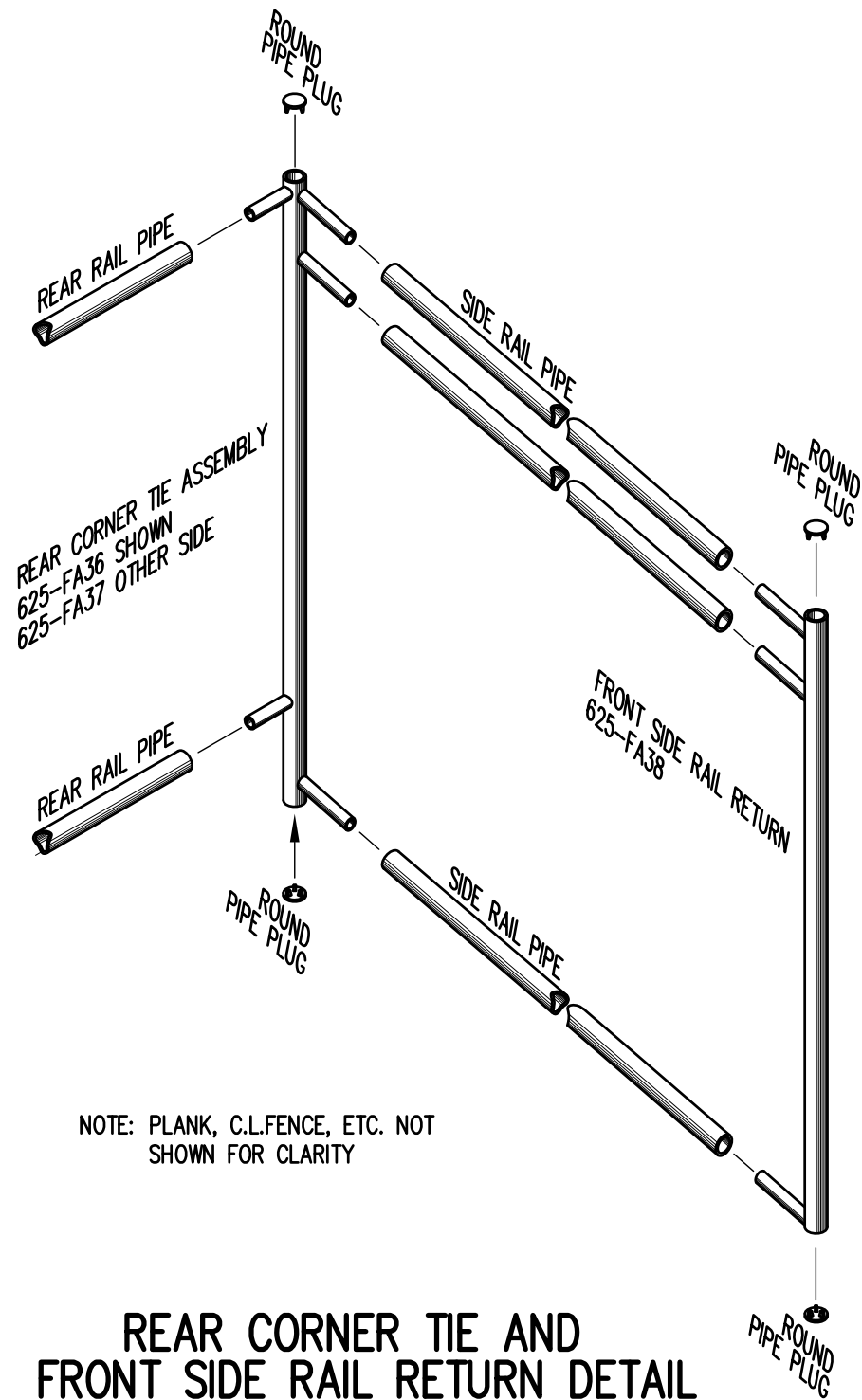


FIG.1 FIG.2

- 1) LOCATE THE CHANNEL END CAP AS SHOWN IN FIG. 1.
- 2) TAP END CAP INTO PLACE WITH RUBBER Mallet OR SOFT WOOD. FIG.2
- 3) DRILL TWO 5/32" HOLES THROUGH THE BOTTOM FLANGE AND THE BOTTOM OUTSIDE PLANK FLANGES. INSTALL TWO 3/16" x 1/4" RIVETS. (2 PER PLANK)

END CAP DETAIL

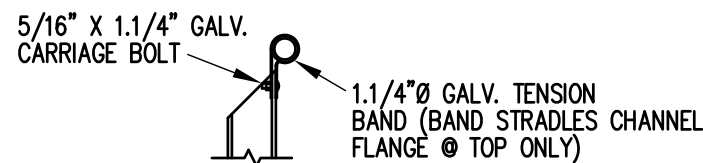
N.T.S.



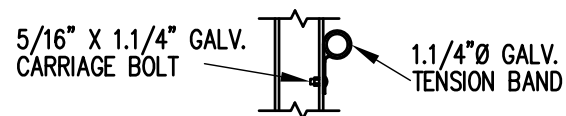
NOTE: PLANK, C.L.FENCE, ETC. NOT SHOWN FOR CLARITY

REAR CORNER TIE AND FRONT SIDE RAIL RETURN DETAIL

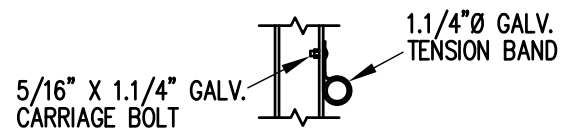
3/4" = 1'-0"



TOP RAIL

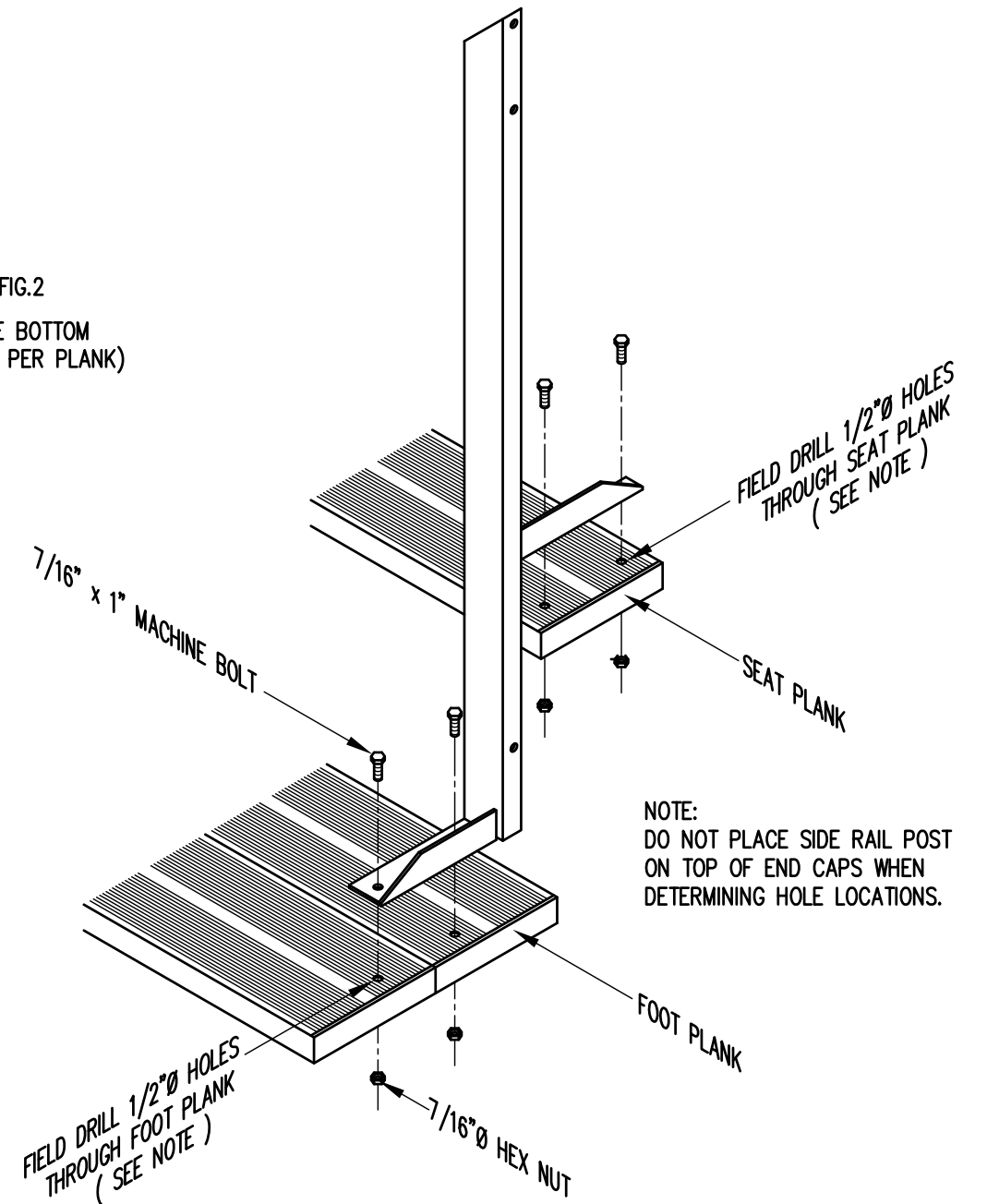


MID RAIL



LOWER RAIL

3/4" = 1'-0"

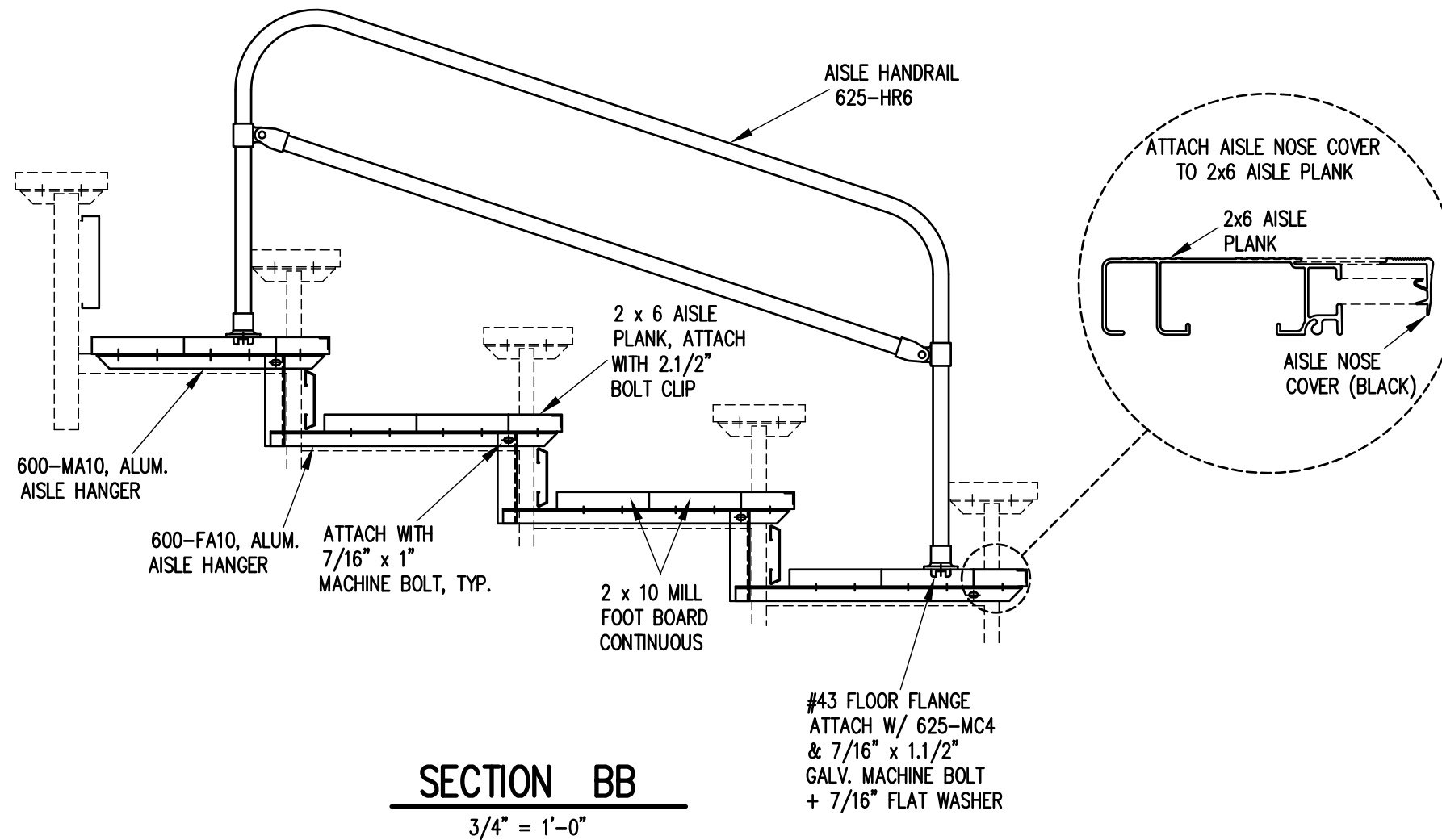


NOTE: DO NOT PLACE SIDE RAIL POST ON TOP OF END CAPS WHEN DETERMINING HOLE LOCATIONS.

TYP. SIDE RAIL POST ATTACHMENT


1" = 1'-0"

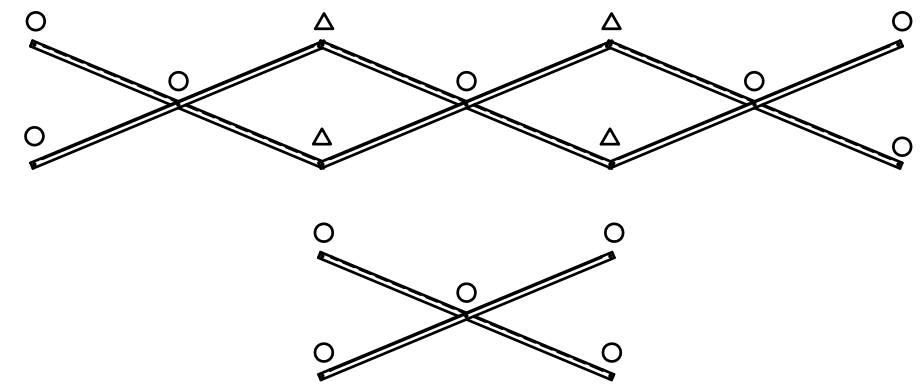
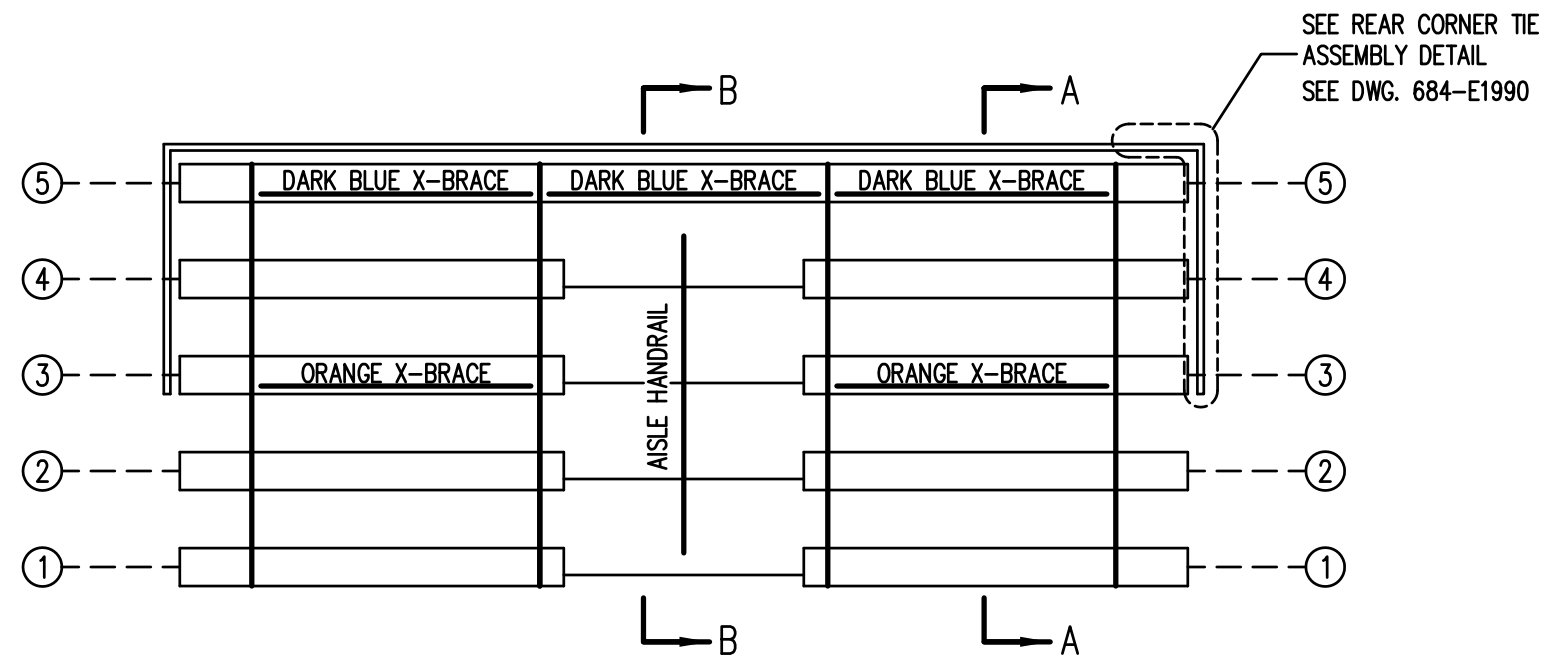
		P.O. BOX 118 GENEVA, ALABAMA 36340 334-684-2296			
		SCALE AS NOTED	REVISIONS	BY	DATE
DATE	11/2/00	SIDE GUARDRAIL TO OUTSIDE		WHW	03/02
DR'N	SS	CKD			
AP'VD					
TITLE				NO.	
TYPICAL DETAILS				684-E1990	



SECTION BB

3/4" = 1'-0"

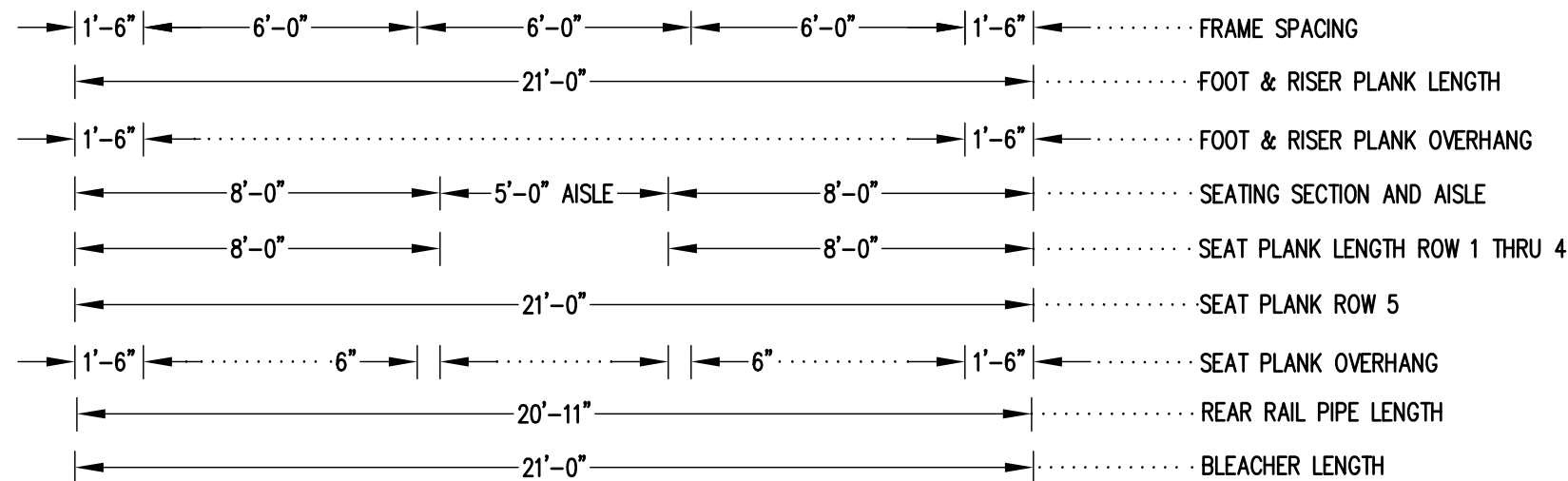
		Outdoor Aluminum		<small>P.O. BOX 118 GENEVA, ALABAMA 36340 334-684-2296</small>	
SCALE	3/4"=1'-0"	REVISIONS	BY	DATE	
DATE	9/27/00	AISLE NOSE COVER	WHW	03/02	
DR'N	SS	CKD			
AP'VD					
TITLE	5 ROW AISLE SECTION				NO. 684-E1995



X-BRACE DETAIL

N.T.S.

- 7/16" X 1" GALV. MACH. BOLT
- △ 7/16" X 1.1/2" GALV. MACH. BOLT

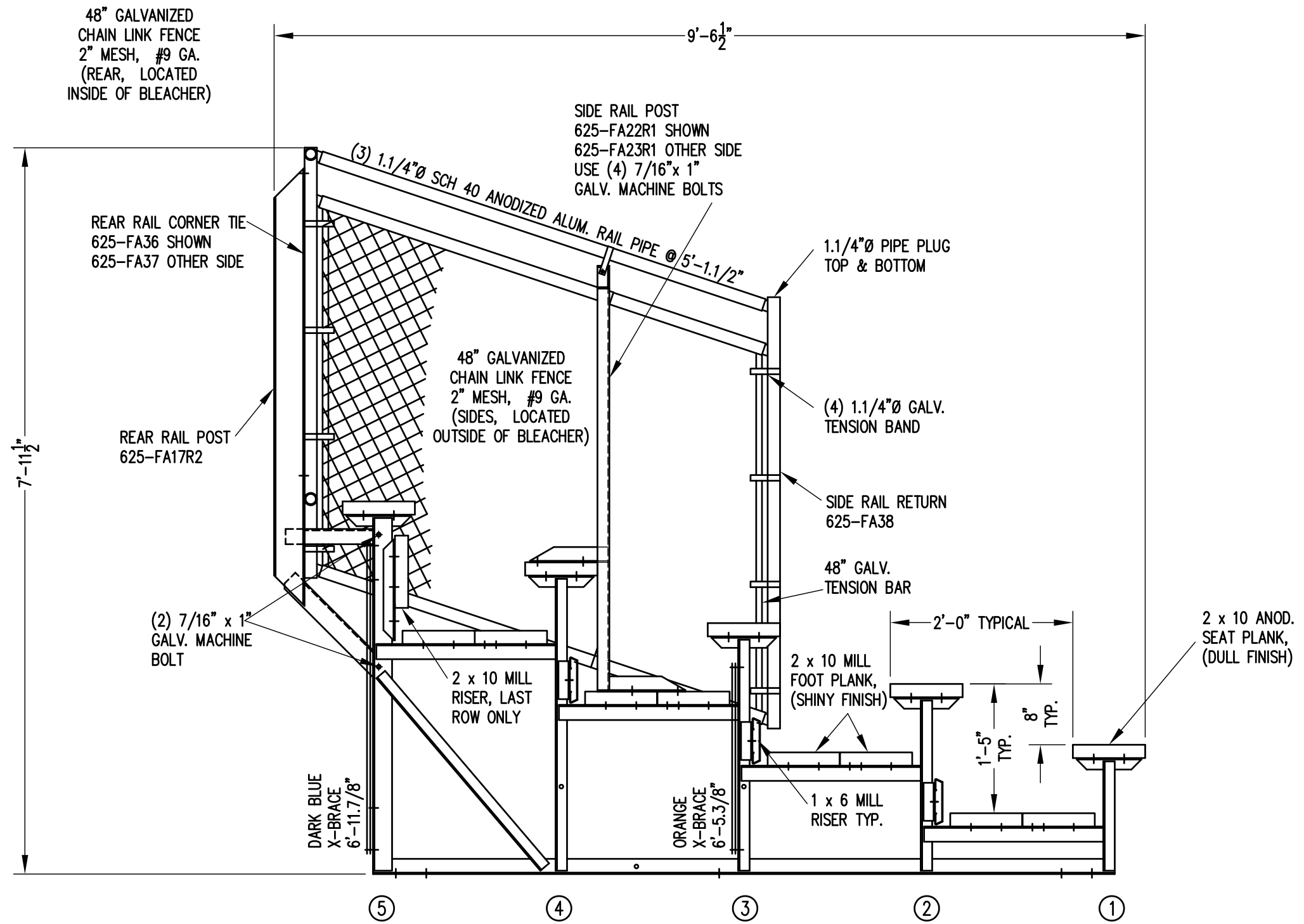


SEATING & FRAMING PLAN

1/4" = 1'-0"

54 NET SEAT @ 18" PER SEAT

		P.O. BOX 118 GENEVA, ALABAMA 36340 334-684-2296					
		SCALE	AS NOTED	REVISIONS		BY	DATE
DATE	11/30/00	SIDE GUARDRAIL TO OUTSIDE		WHW	03/02		
DR'N	SS	CKD					
AP'VD							
TITLE						NO.	
DLWA 5-21 SEATING/FRAMING PLAN W/AISLE						684-E2068	



SECTION AA
3/4" = 1'-0"

		P.O. BOX 118 GENEVA, ALABAMA 36340 334-684-2296	
		Outdoor Aluminum	
SCALE	AS NOTED	REVISIONS	BY DATE
DATE	10/28/96	X-BRACE FROM BLUE TO DARK BLUE	CHM 03/97
DR'N	SS CKD	SIDE GUARDRAIL TO OUTSIDE	WHW 03/02
AP'VD		FOOTBOARD SUPPORT, FA17R2, FA22R1	RS 09/06
TITLE			NO.
DLW 5 ROW SECTION DOUBLE FOOTBOARD			684-E2083