

**BOLT CLIP DETAIL**

1.1/2" = 1'-0"

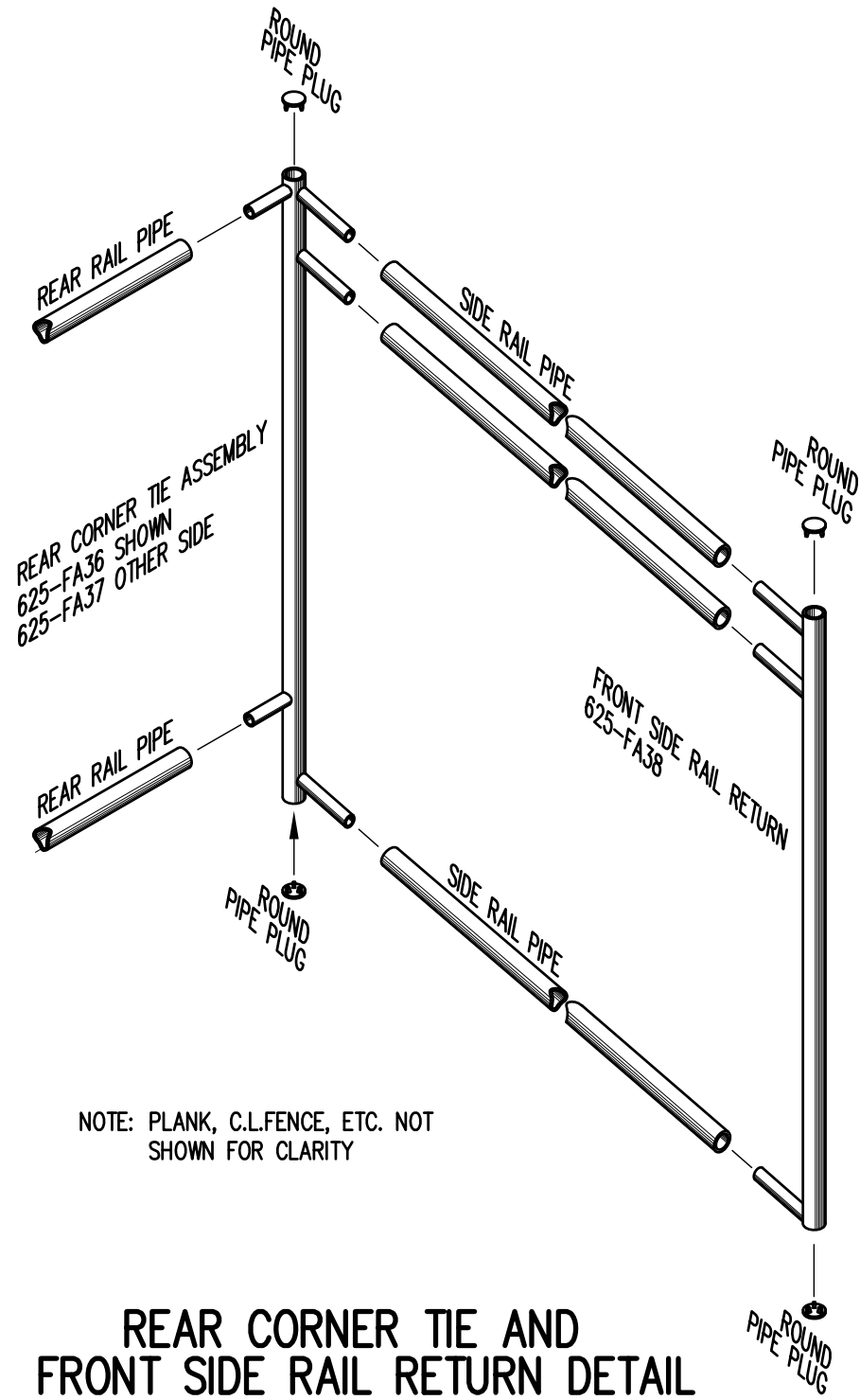


FIG.1 FIG.2

- 1) LOCATE THE CHANNEL END CAP AS SHOWN IN FIG. 1.
- 2) TAP END CAP INTO PLACE WITH RUBBER Mallet OR SOFT WOOD. FIG.2
- 3) DRILL TWO 5/32" HOLES THROUGH THE BOTTOM FLANGE AND THE BOTTOM OUTSIDE PLANK FLANGES. INSTALL TWO 3/16" x 1/4" RIVETS. (2 PER PLANK)

**END CAP DETAIL**

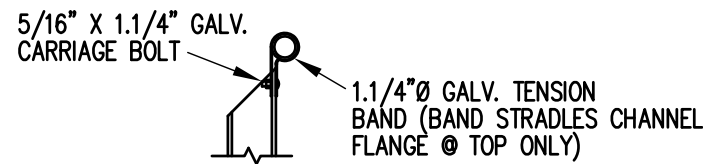
N.T.S.



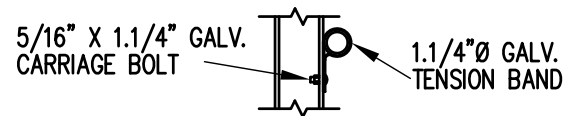
NOTE: PLANK, C.L.FENCE, ETC. NOT SHOWN FOR CLARITY

**REAR CORNER TIE AND FRONT SIDE RAIL RETURN DETAIL**

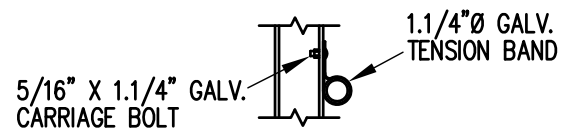
3/4" = 1'-0"



**TOP RAIL**

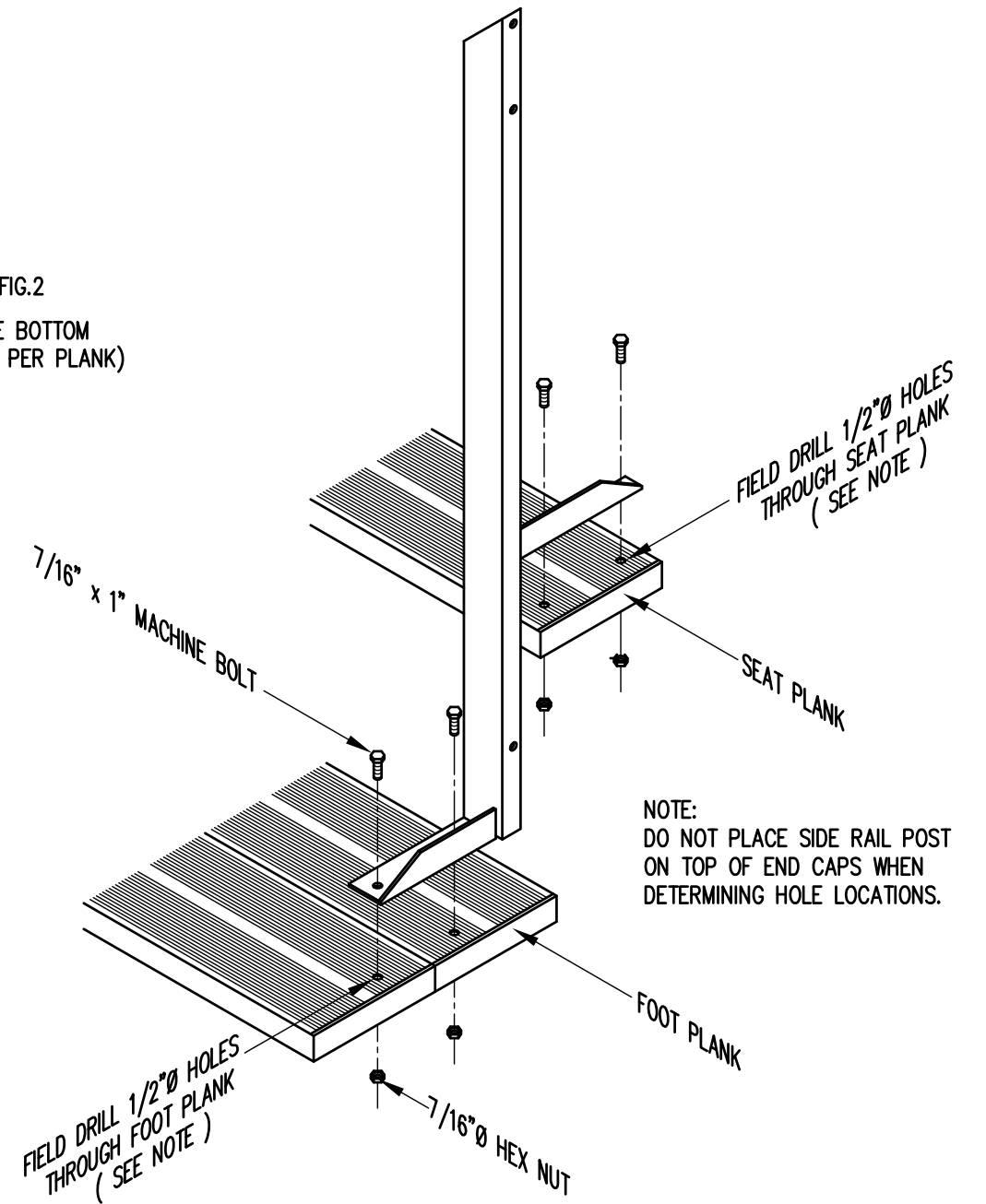


**MID RAIL**



**LOWER RAIL**

3/4" = 1'-0"

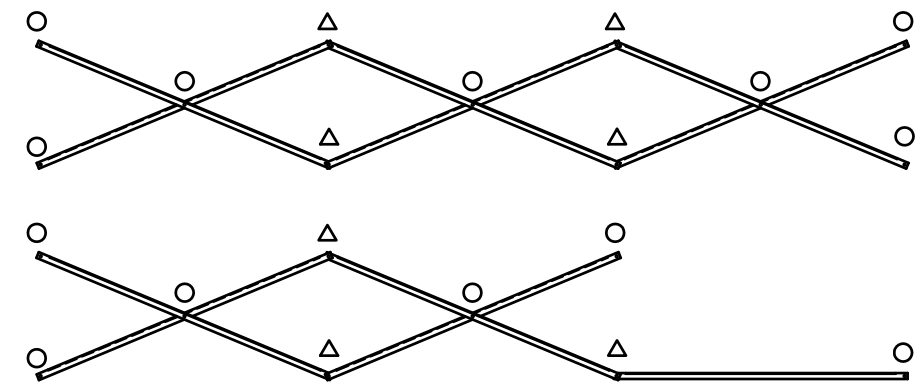
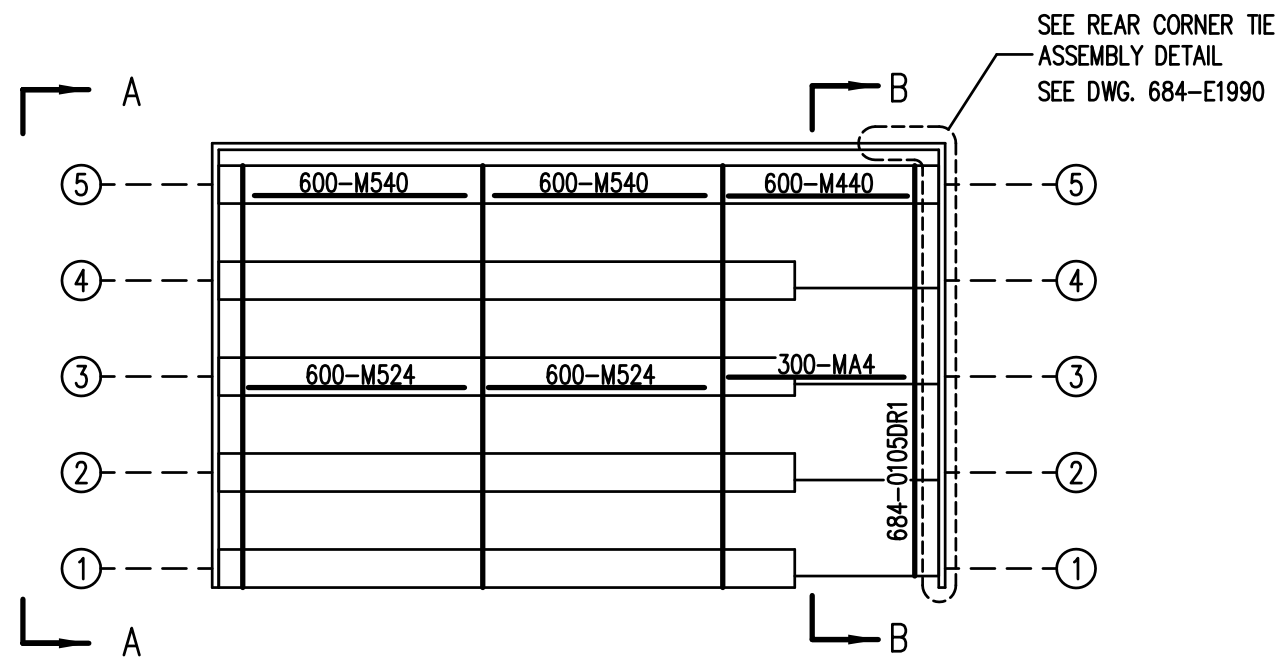


NOTE: DO NOT PLACE SIDE RAIL POST ON TOP OF END CAPS WHEN DETERMINING HOLE LOCATIONS.

**TYP. SIDE RAIL POST ATTACHMENT**

1" = 1'-0"

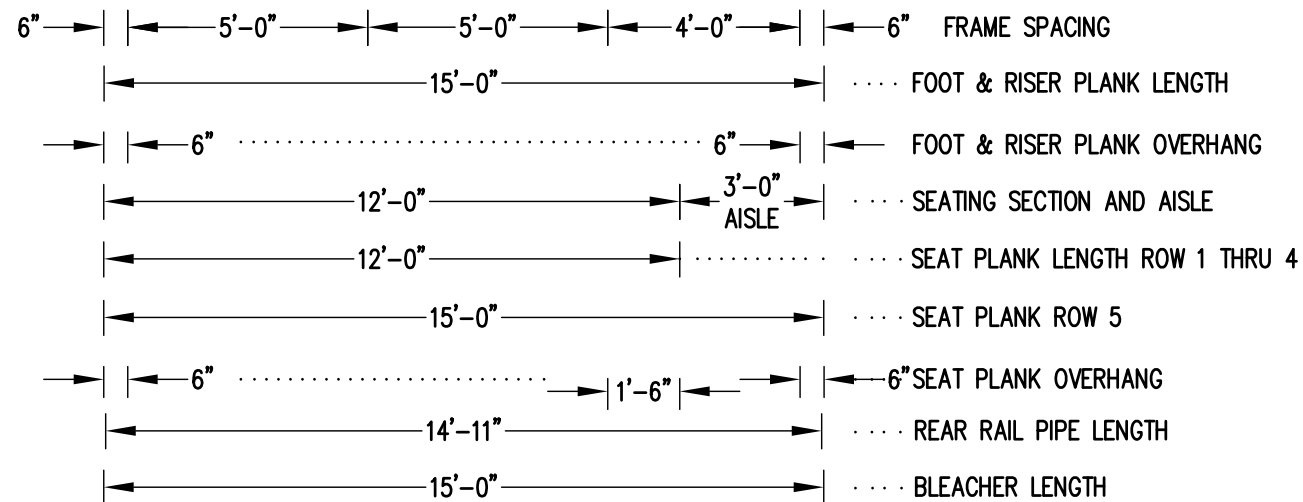
		P.O. BOX 118 GENEVA, ALABAMA 36340 334-684-2296			
		SCALE AS NOTED	REVISIONS	BY	DATE
DATE	11/2/00	SIDE GUARDRAIL TO OUTSIDE		WHW	03/02
DR'N	SS	CKD			
AP'VD					
TITLE				NO.	
TYPICAL DETAILS				684-E1990	



### X-BRACE DETAIL

N.T.S.


- 7/16" X 1" GALV. MACH. BOLT
- △ 7/16" X 1.1/2" GALV. MACH. BOLT



## SEATING & FRAMING PLAN

1/4" = 1'-0"

42 NET SEATS @ 18" PER SEAT

		<b>Outdoor Aluminum</b> P.O. BOX 118 GENEVA, ALABAMA 36340 334-684-2296		
				SCALE
DATE	10/01/04	CHANGED AISLE TO LEFT SIDE	WHW	11/13/06
DR'N	WHW	CKD		
AP'VD				
TITLE				NO.
DLWA 5-15 SEATING/FRAMING PLAN W/ AISLE				684-E2063

48" GALVANIZED  
CHAIN LINK FENCE  
2" MESH, #9 GA.  
(REAR, LOCATED  
INSIDE OF BLEACHER)

REAR RAIL CORNER TIE  
625-FA37 SHOWN  
625-FA36 OTHER SIDE

REAR RAIL POST  
625-FA17R2

48" GALVANIZED  
CHAIN LINK FENCE  
2" MESH, #9 GA.  
(SIDES, LOCATED  
OUTSIDE OF BLEACHER)

(2) 7/16" x 1"  
GALV. MACHINE  
BOLT

2 x 10 MILL  
RISER, LAST  
ROW ONLY

600-M540  
X-BRACE  
6'-1.5/8"

2 x 10 ANOD.  
SEAT PLANK,  
(DULL FINISH)

2 x 10 MILL  
FOOT PLANK,  
(SHINY FINISH)

1 x 6 MILL  
RISER TYP.

600-M524  
X-BRACE  
5'-6.1/8"

(3) 1.1/4"Ø SCH 40 ANODIZED ALUM. RAIL PIPE @ 9'-4"

SIDE RAIL POST  
625-FA23R1 SHOWN  
625-FA24R1 OTHER SIDE  
USE (4) 7/16" x 1"  
GALV. MACHINE BOLTS

1.1/4"Ø PIPE PLUG  
TOP & BOTTOM

(4) 1.1/4"Ø GALV.  
TENSION BAND

SIDE RAIL RETURN  
625-FA38

48" GALV.  
TENSION BAR

⑤

④

③

②

①

**VIEW AA**

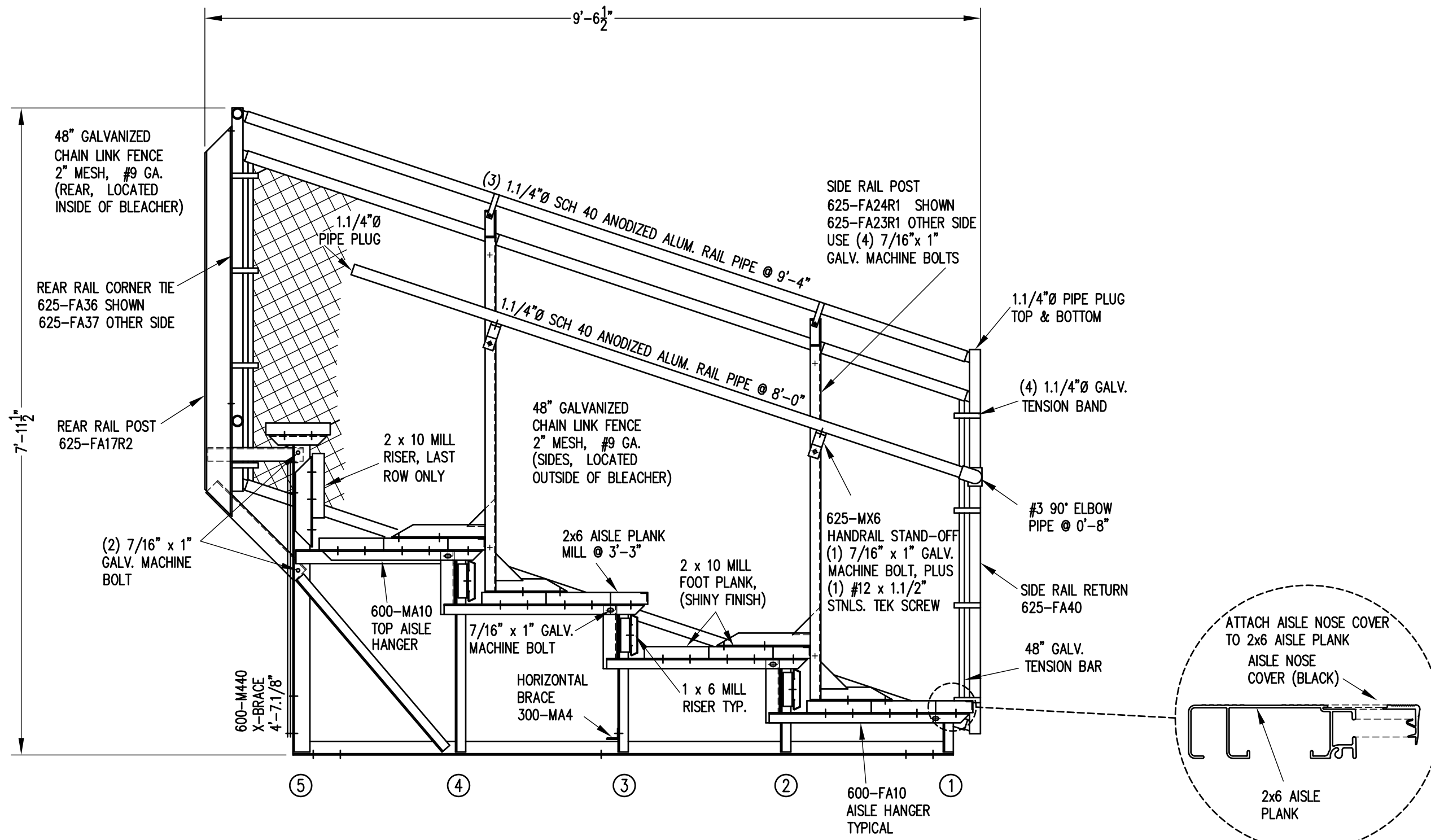
3/4" = 1'-0"



**Outdoor  
Aluminum**

P.O. BOX 118  
GENEVA, ALABAMA 36340  
334-684-2296

SCALE	AS NOTED	REVISIONS	BY	DATE
DATE	10/01/04	UPDATED REAR & SIDE RAIL POSTS	WHW	11/13/06
DR'N	WHW	CKD		
AP'VD				
TITLE	DLW 5 ROW VIEW DOUBLE FOOTBOARD			NO. <b>684-E2085</b>



**SECTION BB**

3/4" = 1'-0"



**Outdoor  
Aluminum**

P.O. BOX 118  
GENEVA, ALABAMA 36340  
334-684-2296

SCALE	AS NOTED	REVISIONS	BY	DATE
DATE	10/01/04	UPDATED REAR & SIDE RAIL POSTS	WHW	11/13/06
DR'N	WHW	CKD	CHANGED 2.1/4" PIPE TO 0'-8"	CES 7/17/07
AP'VD				
TITLE	DLWA 5 ROW END AISLE SECTION			NO. <b>684-E2086</b>